

**Entries by NOC**

NOC Code	Gender	Name	Date of Birth	Event	WT Ranking	Seed
				Mixed DAN		
				Mixed Kup		
				Mixed Para (P20,P21,P22,P23)		
	MALE		2013-09-23	Mixed Kup		
	MALE		2013-09-23	Mixed Para (P20,P21,P22,P23)		



Entries by Weight Category

Mixed Kup

NOC Code	Gender	Name	GAL Number	WT Ranking	Seed
			1384211		
			2003031		
			2006296		
			1378181		
			1379758		
			1389488		
			1384919		
			1370460		
			1391842		
			M123456		
			1395697		
			1380180		
			000003		
			M145875		
			110626		
			M123456		
			M123456		



Entries by Weight Category

Mixed Kup

NOC Code	Gender	Name	GAL Number	WT Ranking	Seed
			M2001977		
			M2001978		
			2002918		
			2006297		
	MALE		M121441		



Entries by Weight Category

Mixed DAN

NOC Code	Gender	Name	GAL Number	WT Ranking	Seed
			M123456		
			M123456		
			M123456		
			M1367260		
			000001		
			1380901		
			1389460		
			2003922		
			2004042		
			1363643		
			123		
			123		



Entries by Weight Category

Mixed DAN

NOC Code	Gender	Name	GAL Number	WT Ranking	Seed
			M123456		
			110526		
			M200436		
			000002		
			M1385832		
			1375949		
			1363148		
			2000147		
			2000431		
			85965		
			1354626		
			123		



Entries by Weight Category
Mixed Para (P20,P21,P22,P23)

NOC Code	Gender	Name	GAL Number	WT Ranking	Seed
			110926		
			000001		
			1351944		
			1393000		
			200864		
			1392009		
	MALE		M121441		

Session Schedule

Day1-Mat1

Start Time	Contest Number	Weight Category	Phase	Colour	WT GAL Number	Name	NOC Code
15:09	101	Men Cadet K2	R32	Chung(Blue)	100147	Player 148	GBR
				Hong(Red)	100151	Player 152	GBR
15:21	102	Men Cadet K2	R32	Chung(Blue)	100141	Player 142	GBR
				Hong(Red)	100143	Player 144	GBR
15:33	103	Men Cadet K1	R32	Chung(Blue)	100168	Player 169	GBR
				Hong(Red)	100155	Player 156	GBR
15:45	104	Men Cadet K1	R32	Chung(Blue)	100170	Player 171	GBR
				Hong(Red)	100158	Player 159	GBR
15:57	105	Men Cadet DAN	R32	Chung(Blue)	100185	Player 186	GBR
				Hong(Red)	100175	Player 176	GBR
16:09	106	Men Cadet DAN	R32	Chung(Blue)	100181	Player 182	GBR
				Hong(Red)	100178	Player 179	GBR
16:21	107	Men Cadet DAN	R32	Chung(Blue)	100182	Player 183	GBR
				Hong(Red)	100176	Player 177	GBR
16:33	108	Women Cadet K3	R32	Chung(Blue)	100192	Player 193	GBR
				Hong(Red)	100197	Player 198	GBR
16:45	109	Women Cadet K3	R32	Chung(Blue)	100210	Player 211	GBR
				Hong(Red)	100209	Player 210	GBR
16:57	110	Women Cadet K3	R32	Chung(Blue)	100206	Player 207	GBR
				Hong(Red)	100199	Player 200	GBR
17:09	111	Women Cadet K3	R32	Chung(Blue)	100191	Player 192	GBR
				Hong(Red)	100201	Player 202	GBR

Session Schedule
Day1-Mat1

Start Time	Contest Number	Weight Category	Phase	Colour	WT GAL Number	Name	NOC Code
17:21	112	Women Cadet K2	R32	Chung(Blue)	100225	Player 226	GBR
				Hong(Red)	100211	Player 212	GBR
17:33	113	Women Cadet K2	R32	Chung(Blue)	100230	Player 231	GBR
				Hong(Red)	100216	Player 217	GBR
17:45	114	Women Cadet K2	R32	Chung(Blue)	100228	Player 229	GBR
				Hong(Red)	100219	Player 220	GBR
17:57	115	Women Cadet K2	R32	Chung(Blue)	100218	Player 219	GBR
				Hong(Red)	100227	Player 228	GBR
18:09	116	Women Cadet K2	R32	Chung(Blue)	100214	Player 215	GBR
				Hong(Red)	100217	Player 218	GBR
18:21	117	Women Cadet K1	R32	Chung(Blue)	100253	Player 254	GBR
				Hong(Red)	100237	Player 238	GBR
18:33	118	Women Cadet K1	R32	Chung(Blue)	100233	Player 234	GBR
				Hong(Red)	100243	Player 244	GBR
18:45	119	Women Cadet K1	R32	Chung(Blue)	100238	Player 239	GBR
				Hong(Red)	100247	Player 248	GBR
18:57	120	Women Cadet K1	R32	Chung(Blue)	100250	Player 251	GBR
				Hong(Red)	100239	Player 240	GBR
19:09	121	Women Cadet K1	R32	Chung(Blue)	100242	Player 243	GBR
				Hong(Red)	100251	Player 252	GBR
19:21	122	Women Cadet K1	R32	Chung(Blue)	100232	Player 233	GBR
				Hong(Red)	100240	Player 241	GBR

Session Schedule

Day1-Mat1

Start Time	Contest Number	Weight Category	Phase	Colour	WT GAL Number	Name	NOC Code
19:33	123	Women Cadet DAN	R32	Chung(Blue)	100257	Player 258	GBR
				Hong(Red)	100271	Player 272	GBR
19:45	124	Women Cadet DAN	R32	Chung(Blue)	100256	Player 257	GBR
				Hong(Red)	100266	Player 267	GBR
19:57	125	Women Cadet DAN	R32	Chung(Blue)	100254	Player 255	GBR
				Hong(Red)	100276	Player 277	GBR
20:09	126	Women Cadet DAN	R32	Chung(Blue)	100268	Player 269	GBR
				Hong(Red)	100263	Player 264	GBR
20:21	127	Women Cadet DAN	R32	Chung(Blue)	100258	Player 259	GBR
				Hong(Red)	100255	Player 256	GBR
20:33	128	Women Cadet DAN	R32	Chung(Blue)	100264	Player 265	GBR
				Hong(Red)	100261	Player 262	GBR
20:45	129	Women Cadet DAN	R32	Chung(Blue)	100273	Player 274	GBR
				Hong(Red)	100265	Player 266	GBR
20:57	130	Men Junior K3	R32	Chung(Blue)	100280	Player 281	GBR
				Hong(Red)	100281	Player 282	GBR
21:09	131	Men Junior K3	R32	Chung(Blue)	100282	Player 283	GBR
				Hong(Red)	100296	Player 297	GBR
21:21	132	Men Junior K3	R32	Chung(Blue)	100290	Player 291	GBR
				Hong(Red)	100288	Player 289	GBR
21:33	133	Men Junior K3	R32	Chung(Blue)	100294	Player 295	GBR
				Hong(Red)	100291	Player 292	GBR

Session Schedule

Day1-Mat1

Start Time	Contest Number	Weight Category	Phase	Colour	WT GAL Number	Name	NOC Code
21:45	134	Men Junior K3	R32	Chung(Blue)	100284	Player 285	GBR
				Hong(Red)	100278	Player 279	GBR
21:57	135	Men Junior K3	R32	Chung(Blue)	100300	Player 301	GBR
				Hong(Red)	100286	Player 287	GBR
22:09	136	Men Junior K3	R32	Chung(Blue)	100298	Player 299	GBR
				Hong(Red)	100292	Player 293	GBR
22:21	137	Men Junior K3	R32	Chung(Blue)	100283	Player 284	GBR
				Hong(Red)	100293	Player 294	GBR
22:33	138	Men Junior K2	R32	Chung(Blue)	100322	Player 323	GBR
				Hong(Red)	100324	Player 325	GBR
22:45	139	Men Junior K2	R32	Chung(Blue)	100317	Player 318	GBR
				Hong(Red)	100319	Player 320	GBR
22:57	140	Men Junior K2	R32	Chung(Blue)	100307	Player 308	GBR
				Hong(Red)	100314	Player 315	GBR
23:09	141	Men Junior K2	R32	Chung(Blue)	100320	Player 321	GBR
				Hong(Red)	100311	Player 312	GBR
23:21	142	Men Junior K2	R32	Chung(Blue)	100305	Player 306	GBR
				Hong(Red)	100306	Player 307	GBR
23:33	143	Men Junior K2	R32	Chung(Blue)	100301	Player 302	GBR
				Hong(Red)	100318	Player 319	GBR
23:45	144	Men Junior K2	R32	Chung(Blue)	100303	Player 304	GBR
				Hong(Red)	100316	Player 317	GBR

Session Schedule

Day1-Mat1

Start Time	Contest Number	Weight Category	Phase	Colour	WT GAL Number	Name	NOC Code
23:57	145	Men Junior K2	R32	Chung(Blue)	100309	Player 310	GBR
				Hong(Red)	100315	Player 316	GBR
00:09	146	Men Junior K2	R32	Chung(Blue)	100310	Player 311	GBR
				Hong(Red)	100308	Player 309	GBR
00:21	147	Men Junior K1	R32	Chung(Blue)	100351	Player 352	GBR
				Hong(Red)	100342	Player 343	GBR
00:33	148	Men Junior K1	R32	Chung(Blue)	100332	Player 333	GBR
				Hong(Red)	100348	Player 349	GBR
00:45	149	Men Junior K1	R32	Chung(Blue)	100333	Player 334	GBR
				Hong(Red)	100338	Player 339	GBR
00:57	150	Men Junior K1	R32	Chung(Blue)	100335	Player 336	GBR
				Hong(Red)	100346	Player 347	GBR
01:09	151	Men Junior K1	R32	Chung(Blue)	100336	Player 337	GBR
				Hong(Red)	100349	Player 350	GBR
01:21	152	Men Junior K1	R32	Chung(Blue)	100329	Player 330	GBR
				Hong(Red)	100326	Player 327	GBR
01:33	153	Men Junior K1	R32	Chung(Blue)	100350	Player 351	GBR
				Hong(Red)	100337	Player 338	GBR
01:45	154	Men Junior K1	R32	Chung(Blue)	100347	Player 348	GBR
				Hong(Red)	100339	Player 340	GBR
01:57	155	Men Junior K1	R32	Chung(Blue)	100331	Player 332	GBR
				Hong(Red)	100334	Player 335	GBR

Session Schedule
Day1-Mat1

Start Time	Contest Number	Weight Category	Phase	Colour	WT GAL Number	Name	NOC Code
02:09	156	Men Junior K1	R32	Chung(Blue)	100330	Player 331	GBR
				Hong(Red)	100341	Player 342	GBR
02:21	157	Men Junior DAN	R32	Chung(Blue)	100356	Player 357	GBR
				Hong(Red)	100377	Player 378	GBR
02:33	158	Men Junior DAN	R32	Chung(Blue)	100371	Player 372	GBR
				Hong(Red)	100362	Player 363	GBR
02:45	159	Men Junior DAN	R32	Chung(Blue)	100358	Player 359	GBR
				Hong(Red)	100368	Player 369	GBR
02:57	160	Men Junior DAN	R32	Chung(Blue)	100361	Player 362	GBR
				Hong(Red)	100374	Player 375	GBR
03:09	161	Men Junior DAN	R32	Chung(Blue)	100366	Player 367	GBR
				Hong(Red)	100378	Player 379	GBR
03:21	162	Men Junior DAN	R32	Chung(Blue)	100353	Player 354	GBR
				Hong(Red)	100373	Player 374	GBR
03:33	163	Men Junior DAN	R32	Chung(Blue)	100376	Player 377	GBR
				Hong(Red)	100365	Player 366	GBR
03:45	164	Men Junior DAN	R32	Chung(Blue)	100355	Player 356	GBR
				Hong(Red)	100352	Player 353	GBR
03:57	165	Men Junior DAN	R32	Chung(Blue)	100364	Player 365	GBR
				Hong(Red)	100363	Player 364	GBR
04:09	166	Men Junior DAN	R32	Chung(Blue)	100375	Player 376	GBR
				Hong(Red)	100357	Player 358	GBR

Session Schedule
Day1-Mat1

Start Time	Contest Number	Weight Category	Phase	Colour	WT GAL Number	Name	NOC Code
04:21	167	Men Junior DAN	R32	Chung(Blue)	100360	Player 361	GBR
				Hong(Red)	100354	Player 355	GBR
04:33	168	Women Junior K3	R32	Chung(Blue)	100403	Player 404	GBR
				Hong(Red)	100389	Player 390	GBR
04:45	169	Women Junior K3	R32	Chung(Blue)	100397	Player 398	GBR
				Hong(Red)	100383	Player 384	GBR
04:57	170	Women Junior K3	R32	Chung(Blue)	100398	Player 399	GBR
				Hong(Red)	100384	Player 385	GBR
05:09	171	Women Junior K3	R32	Chung(Blue)	100393	Player 394	GBR
				Hong(Red)	100405	Player 406	GBR
05:21	172	Women Junior K3	R32	Chung(Blue)	100406	Player 407	GBR
				Hong(Red)	100392	Player 393	GBR
05:33	173	Women Junior K3	R32	Chung(Blue)	100401	Player 402	GBR
				Hong(Red)	100380	Player 381	GBR
05:45	174	Women Junior K3	R32	Chung(Blue)	100400	Player 401	GBR
				Hong(Red)	100388	Player 389	GBR
05:57	175	Women Junior K3	R32	Chung(Blue)	100381	Player 382	GBR
				Hong(Red)	100379	Player 380	GBR
06:09	176	Women Junior K3	R32	Chung(Blue)	100390	Player 391	GBR
				Hong(Red)	100394	Player 395	GBR
06:21	177	Women Junior K3	R32	Chung(Blue)	100399	Player 400	GBR
				Hong(Red)	100385	Player 386	GBR

Session Schedule

Day1-Mat1

Start Time	Contest Number	Weight Category	Phase	Colour	WT GAL Number	Name	NOC Code
06:33	178	Women Junior K3	R32	Chung(Blue)	100395	Player 396	GBR
				Hong(Red)	100382	Player 383	GBR
06:45	179	Women Junior K3	R32	Chung(Blue)	100402	Player 403	GBR
				Hong(Red)	100387	Player 388	GBR
06:57	180	Women Junior K2	R32	Chung(Blue)	100420	Player 421	GBR
				Hong(Red)	100428	Player 429	GBR
07:09	181	Women Junior K2	R32	Chung(Blue)	100423	Player 424	GBR
				Hong(Red)	100407	Player 408	GBR
07:21	182	Women Junior K2	R32	Chung(Blue)	100419	Player 420	GBR
				Hong(Red)	100433	Player 434	GBR
07:33	183	Women Junior K2	R32	Chung(Blue)	100430	Player 431	GBR
				Hong(Red)	100429	Player 430	GBR
07:45	184	Women Junior K2	R32	Chung(Blue)	100434	Player 435	GBR
				Hong(Red)	100415	Player 416	GBR
07:57	185	Women Junior K2	R32	Chung(Blue)	100426	Player 427	GBR
				Hong(Red)	100431	Player 432	GBR
08:09	186	Women Junior K2	R32	Chung(Blue)	100432	Player 433	GBR
				Hong(Red)	100424	Player 425	GBR
08:21	187	Women Junior K2	R32	Chung(Blue)	100409	Player 410	GBR
				Hong(Red)	100413	Player 414	GBR
08:33	188	Women Junior K2	R32	Chung(Blue)	100427	Player 428	GBR
				Hong(Red)	100408	Player 409	GBR

Session Schedule

Day1-Mat1

Start Time	Contest Number	Weight Category	Phase	Colour	WT GAL Number	Name	NOC Code
08:45	189	Women Junior K2	R32	Chung(Blue)	100418	Player 419	GBR
				Hong(Red)	100425	Player 426	GBR
08:57	190	Women Junior K2	R32	Chung(Blue)	100422	Player 423	GBR
				Hong(Red)	100417	Player 418	GBR
09:09	191	Women Junior K2	R32	Chung(Blue)	100416	Player 417	GBR
				Hong(Red)	100414	Player 415	GBR
09:21	192	Women Junior K2	R32	Chung(Blue)	100412	Player 413	GBR
				Hong(Red)	100435	Player 436	GBR
09:33	193	Women Junior K1	R32	Chung(Blue)	100457	Player 458	GBR
				Hong(Red)	100442	Player 443	GBR
09:45	194	Women Junior K1	R32	Chung(Blue)	100448	Player 449	GBR
				Hong(Red)	100455	Player 456	GBR
09:57	195	Women Junior K1	R32	Chung(Blue)	100450	Player 451	GBR
				Hong(Red)	100460	Player 461	GBR
10:09	196	Women Junior K1	R32	Chung(Blue)	100445	Player 446	GBR
				Hong(Red)	100456	Player 457	GBR
10:21	197	Women Junior K1	R32	Chung(Blue)	100458	Player 459	GBR
				Hong(Red)	100447	Player 448	GBR
10:33	198	Women Junior K1	R32	Chung(Blue)	100465	Player 466	GBR
				Hong(Red)	100449	Player 450	GBR
10:45	199	Women Junior K1	R32	Chung(Blue)	100438	Player 439	GBR
				Hong(Red)	100440	Player 441	GBR

Session Schedule
Day1-Mat1

Start Time	Contest Number	Weight Category	Phase	Colour	WT GAL Number	Name	NOC Code
10:57	1100	Women Junior K1	R32	Chung(Blue)	100441	Player 442	GBR
				Hong(Red)	100461	Player 462	GBR
11:09	1101	Women Junior K1	R32	Chung(Blue)	100463	Player 464	GBR
				Hong(Red)	100454	Player 455	GBR
11:21	1102	Women Junior K1	R32	Chung(Blue)	100437	Player 438	GBR
				Hong(Red)	100459	Player 460	GBR
11:33	1103	Women Junior K1	R32	Chung(Blue)	100439	Player 440	GBR
				Hong(Red)	100436	Player 437	GBR
11:45	1104	Women Junior K1	R32	Chung(Blue)	100453	Player 454	GBR
				Hong(Red)	100446	Player 447	GBR
11:57	1105	Women Junior K1	R32	Chung(Blue)	100451	Player 452	GBR
				Hong(Red)	100444	Player 445	GBR
12:09	1106	Women Junior K1	R32	Chung(Blue)	100462	Player 463	GBR
				Hong(Red)	100452	Player 453	GBR
12:21	1107	Women Junior DAN	R32	Chung(Blue)	100482	Player 483	GBR
				Hong(Red)	100484	Player 485	GBR
12:33	1108	Women Junior DAN	R32	Chung(Blue)	100490	Player 491	GBR
				Hong(Red)	100493	Player 494	GBR
12:45	1109	Women Junior DAN	R32	Chung(Blue)	100478	Player 479	GBR
				Hong(Red)	100487	Player 488	GBR
12:57	1110	Women Junior DAN	R32	Chung(Blue)	100475	Player 476	GBR
				Hong(Red)	100468	Player 469	GBR

Session Schedule

Day1-Mat1

Start Time	Contest Number	Weight Category	Phase	Colour	WT GAL Number	Name	NOC Code
13:09	1111	Women Junior DAN	R32	Chung(Blue)	100481	Player 482	GBR
				Hong(Red)	100483	Player 484	GBR
13:21	1112	Women Junior DAN	R32	Chung(Blue)	100476	Player 477	GBR
				Hong(Red)	100489	Player 490	GBR
13:33	1113	Women Junior DAN	R32	Chung(Blue)	100469	Player 470	GBR
				Hong(Red)	100486	Player 487	GBR
13:45	1114	Women Junior DAN	R16	Chung(Blue)	100485	Player 486	GBR
				Hong(Red)	100471	Player 472	GBR
13:57	1115	Women Junior DAN	R32	Chung(Blue)	100496	Player 497	GBR
				Hong(Red)	100466	Player 467	GBR
14:09	1116	Women Junior DAN	R32	Chung(Blue)	100494	Player 495	GBR
				Hong(Red)	100495	Player 496	GBR
14:21	1117	Women Junior DAN	R32	Chung(Blue)	100467	Player 468	GBR
				Hong(Red)	100491	Player 492	GBR
14:33	1118	Women Junior DAN	R32	Chung(Blue)	100474	Player 475	GBR
				Hong(Red)	100473	Player 474	GBR
14:45	1119	Women Junior DAN	R32	Chung(Blue)	100470	Player 471	GBR
				Hong(Red)	100479	Player 480	GBR
14:57	1120	Women Junior DAN	R32	Chung(Blue)	100488	Player 489	GBR
				Hong(Red)	100477	Player 478	GBR
15:09	1121	Women Junior DAN	R32	Chung(Blue)	100480	Player 481	GBR
				Hong(Red)	100492	Player 493	GBR

Session Schedule

Day1-Mat1

Start Time	Contest Number	Weight Category	Phase	Colour	WT GAL Number	Name	NOC Code
15:21	1122	Men Senior K3	R32	Chung(Blue)	100513	Player 514	GBR
				Hong(Red)	100504	Player 505	GBR
15:33	1123	Men Senior K3	R32	Chung(Blue)	100519	Player 520	GBR
				Hong(Red)	100521	Player 522	GBR
15:45	1124	Men Senior K3	R32	Chung(Blue)	100498	Player 499	GBR
				Hong(Red)	100518	Player 519	GBR
15:57	1125	Men Senior K3	R32	Chung(Blue)	100517	Player 518	GBR
				Hong(Red)	100510	Player 511	GBR
16:09	1126	Men Senior K3	R32	Chung(Blue)	100525	Player 526	GBR
				Hong(Red)	100503	Player 504	GBR
16:21	1127	Men Senior K3	R32	Chung(Blue)	100499	Player 500	GBR
				Hong(Red)	100497	Player 498	GBR
16:33	1128	Men Senior K3	R32	Chung(Blue)	100507	Player 508	GBR
				Hong(Red)	100509	Player 510	GBR
16:45	1129	Men Senior K3	R32	Chung(Blue)	100516	Player 517	GBR
				Hong(Red)	100524	Player 525	GBR
16:57	1130	Men Senior K3	R16	Chung(Blue)	100508	Player 509	GBR
				Hong(Red)	100527	Player 528	GBR
17:09	1131	Men Senior K3	R32	Chung(Blue)	100526	Player 527	GBR
				Hong(Red)	100528	Player 529	GBR
17:21	1132	Men Senior K3	R32	Chung(Blue)	100514	Player 515	GBR
				Hong(Red)	100520	Player 521	GBR

Session Schedule

Day1-Mat1

Start Time	Contest Number	Weight Category	Phase	Colour	WT GAL Number	Name	NOC Code
17:33	1133	Men Senior K3	R32	Chung(Blue)	100523	Player 524	GBR
				Hong(Red)	100505	Player 506	GBR
17:45	1134	Men Senior K3	R32	Chung(Blue)	100500	Player 501	GBR
				Hong(Red)	100512	Player 513	GBR
17:57	1135	Men Senior K3	R32	Chung(Blue)	100506	Player 507	GBR
				Hong(Red)	100501	Player 502	GBR
18:09	1136	Men Senior K3	R32	Chung(Blue)	100502	Player 503	GBR
				Hong(Red)	100511	Player 512	GBR
18:21	1137	Men Senior K3	R32	Chung(Blue)	100515	Player 516	GBR
				Hong(Red)	100522	Player 523	GBR
18:33	1138	Men Children K2	R16	Chung(Blue)	100043	Player 44	GBR
				Hong(Red)	100040	Player 41	GBR
18:45	1139	Men Children K1	R16	Chung(Blue)	100045	Player 46	GBR
				Hong(Red)	100047	Player 48	GBR
18:57	1140	Men Children K1	R16	Chung(Blue)	100048	Player 49	GBR
				Hong(Red)	100054	Player 55	GBR
19:09	1141	Men Children DAN	R16	Chung(Blue)	100064	Player 65	GBR
				Hong(Red)	100065	Player 66	GBR
19:21	1142	Men Children DAN	R16	Chung(Blue)	100060	Player 61	GBR
				Hong(Red)	100062	Player 63	GBR
19:33	1143	Men Children DAN	R16	Chung(Blue)	100055	Player 56	GBR
				Hong(Red)	100057	Player 58	GBR

Session Schedule

Day1-Mat1

Start Time	Contest Number	Weight Category	Phase	Colour	WT GAL Number	Name	NOC Code
19:45	1144	Women Children K3	R16	Chung(Blue)	100070	Player 71	GBR
				Hong(Red)	100066	Player 67	GBR
19:57	1145	Women Children K3	R16	Chung(Blue)	100077	Player 78	GBR
				Hong(Red)	100073	Player 74	GBR
20:09	1146	Women Children K3	R16	Chung(Blue)	100071	Player 72	GBR
				Hong(Red)	100069	Player 70	GBR
20:21	1147	Women Children K3	R16	Chung(Blue)	100076	Player 77	GBR
				Hong(Red)	100068	Player 69	GBR
20:33	1148	Women Children K2	R16	Chung(Blue)	100082	Player 83	GBR
				Hong(Red)	100079	Player 80	GBR
20:45	1149	Women Children K2	R16	Chung(Blue)	100080	Player 81	GBR
				Hong(Red)	100087	Player 88	GBR
20:57	1150	Women Children K2	R16	Chung(Blue)	100085	Player 86	GBR
				Hong(Red)	100089	Player 90	GBR
21:09	1151	Women Children K2	R16	Chung(Blue)	100083	Player 84	GBR
				Hong(Red)	100090	Player 91	GBR
21:21	1152	Women Children K2	R16	Chung(Blue)	100088	Player 89	GBR
				Hong(Red)	100081	Player 82	GBR
21:33	1153	Women Children K1	R16	Chung(Blue)	100093	Player 94	GBR
				Hong(Red)	100100	Player 101	GBR
21:45	1154	Women Children K1	R16	Chung(Blue)	100104	Player 105	GBR
				Hong(Red)	100099	Player 100	GBR

Session Schedule
Day1-Mat1

Start Time	Contest Number	Weight Category	Phase	Colour	WT GAL Number	Name	NOC Code
21:57	1155	Women Children K1	R16	Chung(Blue)	100098	Player 99	GBR
				Hong(Red)	100095	Player 96	GBR
22:09	1156	Women Children K1	R16	Chung(Blue)	100102	Player 103	GBR
				Hong(Red)	100091	Player 92	GBR
22:21	1157	Women Children K1	R16	Chung(Blue)	100092	Player 93	GBR
				Hong(Red)	100103	Player 104	GBR
22:33	1158	Women Children K1	R16	Chung(Blue)	100096	Player 97	GBR
				Hong(Red)	100097	Player 98	GBR
22:45	1159	Women Children DAN	R16	Chung(Blue)	100109	Player 110	GBR
				Hong(Red)	100105	Player 106	GBR
22:57	1160	Women Children DAN	R16	Chung(Blue)	100116	Player 117	GBR
				Hong(Red)	100113	Player 114	GBR
23:09	1161	Women Children DAN	R16	Chung(Blue)	100111	Player 112	GBR
				Hong(Red)	100106	Player 107	GBR
23:21	1162	Women Children DAN	R16	Chung(Blue)	100114	Player 115	GBR
				Hong(Red)	100110	Player 111	GBR
23:33	1163	Women Children DAN	R16	Chung(Blue)	100119	Player 120	GBR
				Hong(Red)	100107	Player 108	GBR
23:45	1164	Women Children DAN	R16	Chung(Blue)	100112	Player 113	GBR
				Hong(Red)	100117	Player 118	GBR
23:57	1165	Women Children DAN	R16	Chung(Blue)	100108	Player 109	GBR
				Hong(Red)	100115	Player 116	GBR

Session Schedule

Day1-Mat1

Start Time	Contest Number	Weight Category	Phase	Colour	WT GAL Number	Name	NOC Code
00:09	1166	Men Cadet K3	R16	Chung(Blue)	100124	Player 125	GBR
				Hong(Red)	100133	Player 134	GBR
00:21	1167	Men Cadet K3	R16	Chung(Blue)	100135	Player 136	GBR
				Hong(Red)	100128	Player 129	GBR
00:33	1168	Men Cadet K3	R16	Chung(Blue)	100127	Player 128	GBR
				Hong(Red)	100123	Player 124	GBR
00:45	1169	Men Cadet K3	R16	Chung(Blue)	100126	Player 127	GBR
				Hong(Red)	100125	Player 126	GBR
00:57	1170	Men Cadet K3	R16	Chung(Blue)	100122	Player 123	GBR
				Hong(Red)	100131	Player 132	GBR
01:09	1171	Men Cadet K3	R16	Chung(Blue)	100130	Player 131	GBR
				Hong(Red)	100132	Player 133	GBR
01:21	1172	Men Cadet K3	R16	Chung(Blue)	100121	Player 122	GBR
				Hong(Red)	100120	Player 121	GBR
01:33	1173	Men Cadet K3	R16	Chung(Blue)	100134	Player 135	GBR
				Hong(Red)	100129	Player 130	GBR
01:45	1174	Men Cadet K2	R16	Chung(Blue)	100140	Player 141	GBR
				Hong(Red)	100129	Player 130	GBR
01:57	1175	Men Cadet K2	R16	Chung(Blue)	100144	Player 145	GBR
				Hong(Red)	100139	Player 140	GBR
02:09	1176	Men Cadet K2	R16	Chung(Blue)	100146	Player 147	GBR
				Hong(Red)	100150	Player 151	GBR

Session Schedule

Day1-Mat1

Start Time	Contest Number	Weight Category	Phase	Colour	WT GAL Number	Name	NOC Code
02:21	1177	Men Cadet K2	R16	Chung(Blue)	100138	Player 139	GBR
				Hong(Red)	100149	Player 150	GBR
02:33	1178	Men Cadet K2	R16	Chung(Blue)	100152	Player 153	GBR
				Hong(Red)	100149	Player 150	GBR
02:45	1179	Men Cadet K2	R16	Chung(Blue)	100153	Player 154	GBR
				Hong(Red)	100137	Player 138	GBR
02:57	1180	Men Cadet K2	R16	Chung(Blue)	100142	Player 143	GBR
				Hong(Red)	100145	Player 146	GBR
03:09	1181	Men Cadet K2	R16	Chung(Blue)	100148	Player 149	GBR
				Hong(Red)	100136	Player 137	GBR
03:21	1182	Men Cadet K1	R16	Chung(Blue)	100169	Player 170	GBR
				Hong(Red)	100136	Player 137	GBR
03:33	1183	Men Cadet K1	R16	Chung(Blue)	100166	Player 167	GBR
				Hong(Red)	100160	Player 161	GBR
03:45	1184	Men Cadet K1	R16	Chung(Blue)	100156	Player 157	GBR
				Hong(Red)	100157	Player 158	GBR
03:57	1185	Men Cadet K1	R16	Chung(Blue)	100171	Player 172	GBR
				Hong(Red)	100164	Player 165	GBR
04:09	1186	Men Cadet K1	R16	Chung(Blue)	100159	Player 160	GBR
				Hong(Red)	100164	Player 165	GBR
04:21	1187	Men Cadet K1	R16	Chung(Blue)	100154	Player 155	GBR
				Hong(Red)	100167	Player 168	GBR

Session Schedule

Day1-Mat1

Start Time	Contest Number	Weight Category	Phase	Colour	WT GAL Number	Name	NOC Code
04:33	1188	Men Cadet K1	R16	Chung(Blue)	100163	Player 164	GBR
				Hong(Red)	100161	Player 162	GBR
04:45	1189	Men Cadet K1	R16	Chung(Blue)	100165	Player 166	GBR
				Hong(Red)	100162	Player 163	GBR
04:57	1190	Men Cadet DAN	R16	Chung(Blue)	100190	Player 191	GBR
				Hong(Red)	100162	Player 163	GBR
05:09	1191	Men Cadet DAN	R16	Chung(Blue)	100177	Player 178	GBR
				Hong(Red)	100174	Player 175	GBR
05:21	1192	Men Cadet DAN	R16	Chung(Blue)	100173	Player 174	GBR
				Hong(Red)	100187	Player 188	GBR
05:33	1193	Men Cadet DAN	R16	Chung(Blue)	100189	Player 190	GBR
				Hong(Red)	100180	Player 181	GBR
05:45	1194	Men Cadet DAN	R16	Chung(Blue)	100184	Player 185	GBR
				Hong(Red)	100180	Player 181	GBR
05:57	1195	Men Cadet DAN	R16	Chung(Blue)	100179	Player 180	GBR
				Hong(Red)	100172	Player 173	GBR
06:09	1196	Men Cadet DAN	R16	Chung(Blue)	100183	Player 184	GBR
				Hong(Red)	100172	Player 173	GBR
06:21	1197	Men Cadet DAN	R16	Chung(Blue)	100186	Player 187	GBR
				Hong(Red)	100188	Player 189	GBR
06:33	1198	Women Cadet K3	R16	Chung(Blue)	100204	Player 205	GBR
				Hong(Red)	100188	Player 189	GBR

Session Schedule
Day1-Mat1

Start Time	Contest Number	Weight Category	Phase	Colour	WT GAL Number	Name	NOC Code
06:45	1199	Women Cadet K3	R16	Chung(Blue)	100202	Player 203	GBR
				Hong(Red)	100205	Player 206	GBR
06:57	1200	Women Cadet K3	R16	Chung(Blue)	100193	Player 194	GBR
				Hong(Red)	100205	Player 206	GBR
07:09	1201	Women Cadet K3	R16	Chung(Blue)	100195	Player 196	GBR
				Hong(Red)	100200	Player 201	GBR
07:21	1202	Women Cadet K3	R16	Chung(Blue)	100196	Player 197	GBR
				Hong(Red)	100200	Player 201	GBR
07:33	1203	Women Cadet K3	R16	Chung(Blue)	100203	Player 204	GBR
				Hong(Red)	100194	Player 195	GBR
07:45	1204	Women Cadet K3	R16	Chung(Blue)	100198	Player 199	GBR
				Hong(Red)	100194	Player 195	GBR
07:57	1205	Women Cadet K3	R16	Chung(Blue)	100208	Player 209	GBR
				Hong(Red)	100207	Player 208	GBR
08:09	1206	Women Cadet K2	R16	Chung(Blue)	100223	Player 224	GBR
				Hong(Red)	100207	Player 208	GBR
08:21	1207	Women Cadet K2	R16	Chung(Blue)	100220	Player 221	GBR
				Hong(Red)	100222	Player 223	GBR
08:33	1208	Women Cadet K2	R16	Chung(Blue)	100224	Player 225	GBR
				Hong(Red)	100222	Player 223	GBR
08:45	1209	Women Cadet K2	R16	Chung(Blue)	100224	Player 225	GBR
				Hong(Red)	100226	Player 227	GBR

Session Schedule
Day1-Mat1

Start Time	Contest Number	Weight Category	Phase	Colour	WT GAL Number	Name	NOC Code
08:57	1210	Women Cadet K2	R16	Chung(Blue)	100231	Player 232	GBR
				Hong(Red)	100226	Player 227	GBR
09:09	1211	Women Cadet K2	R16	Chung(Blue)	100215	Player 216	GBR
				Hong(Red)	100212	Player 213	GBR
09:21	1212	Women Cadet K2	R16	Chung(Blue)	100213	Player 214	GBR
				Hong(Red)	100212	Player 213	GBR
09:33	1213	Women Cadet K2	R16	Chung(Blue)	100221	Player 222	GBR
				Hong(Red)	100229	Player 230	GBR
09:45	1214	Women Cadet K1	R16	Chung(Blue)	100248	Player 249	GBR
				Hong(Red)	100229	Player 230	GBR
09:57	1215	Women Cadet K1	R16	Chung(Blue)	100241	Player 242	GBR
				Hong(Red)	100235	Player 236	GBR
10:09	1216	Women Cadet K1	R16	Chung(Blue)	100244	Player 245	GBR
				Hong(Red)	100235	Player 236	GBR
10:21	1217	Women Cadet K1	R16	Chung(Blue)	100244	Player 245	GBR
				Hong(Red)	100245	Player 246	GBR
10:33	1218	Women Cadet K1	R16	Chung(Blue)	100252	Player 253	GBR
				Hong(Red)	100245	Player 246	GBR
10:45	1219	Women Cadet K1	R16	Chung(Blue)	100249	Player 250	GBR
				Hong(Red)	100234	Player 235	GBR
10:57	1220	Women Cadet K1	R16	Chung(Blue)	100236	Player 237	GBR
				Hong(Red)	100234	Player 235	GBR

Session Schedule
Day1-Mat1

Start Time	Contest Number	Weight Category	Phase	Colour	WT GAL Number	Name	NOC Code
11:09	1221	Women Cadet K1	R16	Chung(Blue)	100236	Player 237	GBR
				Hong(Red)	100246	Player 247	GBR
11:21	1222	Women Cadet DAN	R16	Chung(Blue)	100260	Player 261	GBR
				Hong(Red)	100246	Player 247	GBR
11:33	1223	Women Cadet DAN	R16	Chung(Blue)	100275	Player 276	GBR
				Hong(Red)	100274	Player 275	GBR
11:45	1224	Women Cadet DAN	R16	Chung(Blue)	100269	Player 270	GBR
				Hong(Red)	100274	Player 275	GBR
11:57	1225	Women Cadet DAN	R16	Chung(Blue)	100269	Player 270	GBR
				Hong(Red)	100270	Player 271	GBR
12:09	1226	Women Cadet DAN	R16	Chung(Blue)	100262	Player 263	GBR
				Hong(Red)	100270	Player 271	GBR
12:21	1227	Women Cadet DAN	R16	Chung(Blue)	100262	Player 263	GBR
				Hong(Red)	100259	Player 260	GBR
12:33	1228	Women Cadet DAN	R16	Chung(Blue)	100267	Player 268	GBR
				Hong(Red)	100259	Player 260	GBR
12:45	1229	Women Cadet DAN	R16	Chung(Blue)	100267	Player 268	GBR
				Hong(Red)	100272	Player 273	GBR
12:57	1230	Men Junior K3	R16	Chung(Blue)	100277	Player 278	GBR
				Hong(Red)	100272	Player 273	GBR
13:09	1231	Men Junior K3	R16	Chung(Blue)	100277	Player 278	GBR
				Hong(Red)	100295	Player 296	GBR

Session Schedule
Day1-Mat1

Start Time	Contest Number	Weight Category	Phase	Colour	WT GAL Number	Name	NOC Code
13:21	1232	Men Junior K3	R16	Chung(Blue)	100289	Player 290	GBR
				Hong(Red)	100295	Player 296	GBR
13:33	1233	Men Junior K3	R16	Chung(Blue)	100289	Player 290	GBR
				Hong(Red)	100279	Player 280	GBR
13:45	1234	Men Junior K3	R16	Chung(Blue)	100297	Player 298	GBR
				Hong(Red)	100279	Player 280	GBR
13:57	1235	Men Junior K3	R16	Chung(Blue)	100297	Player 298	GBR
				Hong(Red)	100299	Player 300	GBR
14:09	1236	Men Junior K3	R16	Chung(Blue)	100287	Player 288	GBR
				Hong(Red)	100299	Player 300	GBR
14:21	1237	Men Junior K3	R16	Chung(Blue)	100287	Player 288	GBR
				Hong(Red)	100285	Player 286	GBR
14:33	1238	Men Junior K2	R16	Chung(Blue)	100313	Player 314	GBR
				Hong(Red)	100285	Player 286	GBR
14:45	1239	Men Junior K2	R16	Chung(Blue)	100313	Player 314	GBR
				Hong(Red)	100285	Player 286	GBR
14:57	1240	Men Junior K2	R16	Chung(Blue)	100321	Player 322	GBR
				Hong(Red)	100285	Player 286	GBR
15:09	1241	Men Junior K2	R16	Chung(Blue)	100321	Player 322	GBR
				Hong(Red)	100325	Player 326	GBR
15:21	1242	Men Junior K2	R16	Chung(Blue)	100312	Player 313	GBR
				Hong(Red)	100325	Player 326	GBR

Session Schedule

Day1-Mat1

Start Time	Contest Number	Weight Category	Phase	Colour	WT GAL Number	Name	NOC Code
15:33	1243	Men Junior K2	R16	Chung(Blue)	100312	Player 313	GBR
				Hong(Red)	100304	Player 305	GBR
15:45	1244	Men Junior K2	R16	Chung(Blue)	100302	Player 303	GBR
				Hong(Red)	100304	Player 305	GBR
15:57	1245	Men Junior K2	R16	Chung(Blue)	100302	Player 303	GBR
				Hong(Red)	100323	Player 324	GBR
16:09	1246	Men Junior K1	R16	Chung(Blue)	100343	Player 344	GBR
				Hong(Red)	100323	Player 324	GBR
16:21	1247	Men Junior K1	R16	Chung(Blue)	100343	Player 344	GBR
				Hong(Red)	100323	Player 324	GBR
16:33	1248	Men Junior K1	R16	Chung(Blue)	100340	Player 341	GBR
				Hong(Red)	100323	Player 324	GBR
16:45	1249	Men Junior K1	R16	Chung(Blue)	100340	Player 341	GBR
				Hong(Red)	100328	Player 329	GBR
16:57	1250	Men Junior K1	R16	Chung(Blue)	100344	Player 345	GBR
				Hong(Red)	100328	Player 329	GBR
17:09	1251	Men Junior K1	R16	Chung(Blue)	100344	Player 345	GBR
				Hong(Red)	100328	Player 329	GBR
17:21	1252	Men Junior K1	R16	Chung(Blue)	100327	Player 328	GBR
				Hong(Red)	100328	Player 329	GBR
17:33	1253	Men Junior K1	R16	Chung(Blue)	100327	Player 328	GBR
				Hong(Red)	100345	Player 346	GBR

Session Schedule
Day1-Mat1

Start Time	Contest Number	Weight Category	Phase	Colour	WT GAL Number	Name	NOC Code
17:45	1254	Men Junior DAN	R16	Chung(Blue)	100367	Player 368	GBR
				Hong(Red)	100345	Player 346	GBR
17:57	1255	Men Junior DAN	R16	Chung(Blue)	100367	Player 368	GBR
				Hong(Red)	100345	Player 346	GBR
18:09	1256	Men Junior DAN	R16	Chung(Blue)	100369	Player 370	GBR
				Hong(Red)	100345	Player 346	GBR
18:21	1257	Men Junior DAN	R16	Chung(Blue)	100369	Player 370	GBR
				Hong(Red)	100359	Player 360	GBR
18:33	1258	Men Junior DAN	R16	Chung(Blue)	100372	Player 373	GBR
				Hong(Red)	100359	Player 360	GBR
18:45	1259	Men Junior DAN	R16	Chung(Blue)	100372	Player 373	GBR
				Hong(Red)	100359	Player 360	GBR
18:57	1260	Men Junior DAN	R16	Chung(Blue)	100370	Player 371	GBR
				Hong(Red)	100359	Player 360	GBR
19:09	1261	Men Junior DAN	R16	Chung(Blue)	100370	Player 371	GBR
				Hong(Red)	100359	Player 360	GBR
19:21	1262	Women Junior K3	R16	Chung(Blue)	100386	Player 387	GBR
				Hong(Red)	100359	Player 360	GBR
19:33	1263	Women Junior K3	R16	Chung(Blue)	100386	Player 387	GBR
				Hong(Red)	100359	Player 360	GBR
19:45	1264	Women Junior K3	R16	Chung(Blue)	100396	Player 397	GBR
				Hong(Red)	100359	Player 360	GBR

Session Schedule

Day1-Mat1

Start Time	Contest Number	Weight Category	Phase	Colour	WT GAL Number	Name	NOC Code
19:57	1265	Women Junior K3	R16	Chung(Blue)	100396	Player 397	GBR
				Hong(Red)	100359	Player 360	GBR
20:09	1266	Women Junior K3	R16	Chung(Blue)	100404	Player 405	GBR
				Hong(Red)	100359	Player 360	GBR
20:21	1267	Women Junior K3	R16	Chung(Blue)	100404	Player 405	GBR
				Hong(Red)	100359	Player 360	GBR
20:33	1268	Women Junior K3	R16	Chung(Blue)	100391	Player 392	GBR
				Hong(Red)	100359	Player 360	GBR
20:45	1269	Women Junior K3	R16	Chung(Blue)	100391	Player 392	GBR
				Hong(Red)	100359	Player 360	GBR
20:57	1270	Women Junior K2	R16	Chung(Blue)	100421	Player 422	GBR
				Hong(Red)	100359	Player 360	GBR
21:09	1271	Women Junior K2	R16	Chung(Blue)	100421	Player 422	GBR
				Hong(Red)	100359	Player 360	GBR
21:21	1272	Women Junior K2	R16	Chung(Blue)	100421	Player 422	GBR
				Hong(Red)	100359	Player 360	GBR
21:33	1273	Women Junior K2	R16	Chung(Blue)	100421	Player 422	GBR
				Hong(Red)	100359	Player 360	GBR
21:45	1274	Women Junior K2	R16	Chung(Blue)	100411	Player 412	GBR
				Hong(Red)	100359	Player 360	GBR
21:57	1275	Women Junior K2	R16	Chung(Blue)	100411	Player 412	GBR
				Hong(Red)	100359	Player 360	GBR

Session Schedule

Day1-Mat1

Start Time	Contest Number	Weight Category	Phase	Colour	WT GAL Number	Name	NOC Code
22:09	1276	Women Junior K2	R16	Chung(Blue)	100410	Player 411	GBR
				Hong(Red)	100359	Player 360	GBR
22:21	1277	Women Junior K2	R16	Chung(Blue)	100410	Player 411	GBR
				Hong(Red)	100359	Player 360	GBR
22:33	1278	Women Junior K1	R16	Chung(Blue)	100443	Player 444	GBR
				Hong(Red)	100359	Player 360	GBR
22:45	1279	Women Junior K1	R16	Chung(Blue)	100443	Player 444	GBR
				Hong(Red)	100359	Player 360	GBR
22:57	1280	Women Junior K1	R16	Chung(Blue)	100443	Player 444	GBR
				Hong(Red)	100359	Player 360	GBR
23:09	1281	Women Junior K1	R16	Chung(Blue)	100443	Player 444	GBR
				Hong(Red)	100359	Player 360	GBR
23:21	1282	Women Junior K1	R16	Chung(Blue)	100464	Player 465	GBR
				Hong(Red)	100359	Player 360	GBR
23:33	1283	Women Junior K1	R16	Chung(Blue)	100464	Player 465	GBR
				Hong(Red)	100359	Player 360	GBR
23:45	1284	Women Junior K1	R16	Chung(Blue)	100464	Player 465	GBR
				Hong(Red)	100359	Player 360	GBR
23:57	1285	Women Junior K1	R16	Chung(Blue)	100464	Player 465	GBR
				Hong(Red)	100359	Player 360	GBR
00:09	1286	Women Junior DAN	R16	Chung(Blue)	100472	Player 473	GBR
				Hong(Red)	100359	Player 360	GBR

Session Schedule

Day1-Mat1

Start Time	Contest Number	Weight Category	Phase	Colour	WT GAL Number	Name	NOC Code
00:21	1287	Women Junior DAN	R16	Chung(Blue)	100472	Player 473	GBR
				Hong(Red)	100359	Player 360	GBR
00:33	1288	Women Junior DAN	R16	Chung(Blue)	100472	Player 473	GBR
				Hong(Red)	100359	Player 360	GBR
00:45	1289	Women Junior DAN	R16	Chung(Blue)	100472	Player 473	GBR
				Hong(Red)	100359	Player 360	GBR
00:57	1290	Women Junior DAN	R16	Chung(Blue)	100472	Player 473	GBR
				Hong(Red)	100359	Player 360	GBR
01:09	1291	Women Junior DAN	R16	Chung(Blue)	100472	Player 473	GBR
				Hong(Red)	100359	Player 360	GBR
01:21	1292	Women Junior DAN	R16	Chung(Blue)	100472	Player 473	GBR
				Hong(Red)	100359	Player 360	GBR
01:33	1293	Women Junior DAN	R16	Chung(Blue)	100472	Player 473	GBR
				Hong(Red)	100359	Player 360	GBR
01:45	1294	Men Senior K3	R16	Chung(Blue)	100472	Player 473	GBR
				Hong(Red)	100359	Player 360	GBR
01:57	1295	Men Senior K3	R16	Chung(Blue)	100472	Player 473	GBR
				Hong(Red)	100359	Player 360	GBR
02:09	1296	Men Senior K3	R16	Chung(Blue)	100472	Player 473	GBR
				Hong(Red)	100359	Player 360	GBR
02:21	1297	Men Senior K3	R16	Chung(Blue)	100472	Player 473	GBR
				Hong(Red)	100359	Player 360	GBR

Session Schedule
Day1-Mat1

Start Time	Contest Number	Weight Category	Phase	Colour	WT GAL Number	Name	NOC Code
02:33	1298	Men Senior K3	R16	Chung(Blue)	100472	Player 473	GBR
				Hong(Red)	100359	Player 360	GBR
02:45	1299	Men Senior K3	R16	Chung(Blue)	100472	Player 473	GBR
				Hong(Red)	100359	Player 360	GBR
02:57	1300	Men Senior K3	R16	Chung(Blue)	100472	Player 473	GBR
				Hong(Red)	100359	Player 360	GBR
03:09	1301	Men Senior K3	R16	Chung(Blue)	100472	Player 473	GBR
				Hong(Red)	100359	Player 360	GBR
03:21	1302	Women Peewee K2	QF	Chung(Blue)	100013	Player 14	GBR
				Hong(Red)	100014	Player 15	GBR
03:33	1303	Women Peewee K1	QF	Chung(Blue)	100020	Player 21	GBR
				Hong(Red)	100015	Player 16	GBR
03:45	1304	Women Peewee K1	QF	Chung(Blue)	100019	Player 20	GBR
				Hong(Red)	100018	Player 19	GBR
03:57	1305	Women Peewee DAN	QF	Chung(Blue)	100023	Player 24	GBR
				Hong(Red)	100024	Player 25	GBR
04:09	1306	Women Peewee DAN	QF	Chung(Blue)	100025	Player 26	GBR
				Hong(Red)	100026	Player 27	GBR
04:21	1307	Women Peewee DAN	QF	Chung(Blue)	100021	Player 22	GBR
				Hong(Red)	100027	Player 28	GBR
04:33	1308	Men Children K3	QF	Chung(Blue)	100033	Player 34	GBR
				Hong(Red)	100030	Player 31	GBR

Session Schedule

Day1-Mat1

Start Time	Contest Number	Weight Category	Phase	Colour	WT GAL Number	Name	NOC Code
04:45	1309	Men Children K3	QF	Chung(Blue)	100031	Player 32	GBR
				Hong(Red)	100032	Player 33	GBR
04:57	1310	Men Children K3	QF	Chung(Blue)	100028	Player 29	GBR
				Hong(Red)	100035	Player 36	GBR
05:09	1311	Men Children K3	QF	Chung(Blue)	100029	Player 30	GBR
				Hong(Red)	100034	Player 35	GBR
05:21	1312	Men Children K2	QF	Chung(Blue)	100042	Player 43	GBR
				Hong(Red)	100034	Player 35	GBR
05:33	1313	Men Children K2	QF	Chung(Blue)	100036	Player 37	GBR
				Hong(Red)	100041	Player 42	GBR
05:45	1314	Men Children K2	QF	Chung(Blue)	100037	Player 38	GBR
				Hong(Red)	100039	Player 40	GBR
05:57	1315	Men Children K2	QF	Chung(Blue)	100038	Player 39	GBR
				Hong(Red)	100044	Player 45	GBR
06:09	1316	Men Children K1	QF	Chung(Blue)	100051	Player 52	GBR
				Hong(Red)	100044	Player 45	GBR
06:21	1317	Men Children K1	QF	Chung(Blue)	100050	Player 51	GBR
				Hong(Red)	100046	Player 47	GBR
06:33	1318	Men Children K1	QF	Chung(Blue)	100049	Player 50	GBR
				Hong(Red)	100046	Player 47	GBR
06:45	1319	Men Children K1	QF	Chung(Blue)	100053	Player 54	GBR
				Hong(Red)	100052	Player 53	GBR

Session Schedule
Day1-Mat1

Start Time	Contest Number	Weight Category	Phase	Colour	WT GAL Number	Name	NOC Code
06:57	1320	Men Children DAN	QF	Chung(Blue)	100056	Player 57	GBR
				Hong(Red)	100052	Player 53	GBR
07:09	1321	Men Children DAN	QF	Chung(Blue)	100058	Player 59	GBR
				Hong(Red)	100061	Player 62	GBR
07:21	1322	Men Children DAN	QF	Chung(Blue)	100063	Player 64	GBR
				Hong(Red)	100061	Player 62	GBR
07:33	1323	Men Children DAN	QF	Chung(Blue)	100059	Player 60	GBR
				Hong(Red)	100061	Player 62	GBR
07:45	1324	Women Children K3	QF	Chung(Blue)	100072	Player 73	GBR
				Hong(Red)	100061	Player 62	GBR
07:57	1325	Women Children K3	QF	Chung(Blue)	100074	Player 75	GBR
				Hong(Red)	100061	Player 62	GBR
08:09	1326	Women Children K3	QF	Chung(Blue)	100067	Player 68	GBR
				Hong(Red)	100061	Player 62	GBR
08:21	1327	Women Children K3	QF	Chung(Blue)	100075	Player 76	GBR
				Hong(Red)	100061	Player 62	GBR
08:33	1328	Women Children K2	QF	Chung(Blue)	100084	Player 85	GBR
				Hong(Red)	100061	Player 62	GBR
08:45	1329	Women Children K2	QF	Chung(Blue)	100084	Player 85	GBR
				Hong(Red)	100061	Player 62	GBR
08:57	1330	Women Children K2	QF	Chung(Blue)	100086	Player 87	GBR
				Hong(Red)	100061	Player 62	GBR

Session Schedule

Day1-Mat1

Start Time	Contest Number	Weight Category	Phase	Colour	WT GAL Number	Name	NOC Code
09:09	1331	Women Children K2	QF	Chung(Blue)	100078	Player 79	GBR
				Hong(Red)	100061	Player 62	GBR
09:21	1332	Women Children K1	QF	Chung(Blue)	100094	Player 95	GBR
				Hong(Red)	100061	Player 62	GBR
09:33	1333	Women Children K1	QF	Chung(Blue)	100094	Player 95	GBR
				Hong(Red)	100061	Player 62	GBR
09:45	1334	Women Children K1	QF	Chung(Blue)	100101	Player 102	GBR
				Hong(Red)	100061	Player 62	GBR
09:57	1335	Women Children K1	QF	Chung(Blue)	100101	Player 102	GBR
				Hong(Red)	100061	Player 62	GBR
10:09	1336	Women Children DAN	QF	Chung(Blue)	100118	Player 119	GBR
				Hong(Red)	100061	Player 62	GBR
10:21	1337	Women Children DAN	QF	Chung(Blue)	100118	Player 119	GBR
				Hong(Red)	100061	Player 62	GBR
10:33	1338	Women Children DAN	QF	Chung(Blue)	100118	Player 119	GBR
				Hong(Red)	100061	Player 62	GBR
10:45	1339	Women Children DAN	QF	Chung(Blue)	100118	Player 119	GBR
				Hong(Red)	100061	Player 62	GBR
10:57	1340	Men Cadet K3	QF	Chung(Blue)	100118	Player 119	GBR
				Hong(Red)	100061	Player 62	GBR
11:09	1341	Men Cadet K3	QF	Chung(Blue)	100118	Player 119	GBR
				Hong(Red)	100061	Player 62	GBR

Session Schedule

Day1-Mat1

Start Time	Contest Number	Weight Category	Phase	Colour	WT GAL Number	Name	NOC Code
11:21	1342	Men Cadet K3	QF	Chung(Blue)	100118	Player 119	GBR
				Hong(Red)	100061	Player 62	GBR
11:33	1343	Men Cadet K3	QF	Chung(Blue)	100118	Player 119	GBR
				Hong(Red)	100061	Player 62	GBR
11:45	1344	Men Cadet K2	QF	Chung(Blue)	100118	Player 119	GBR
				Hong(Red)	100061	Player 62	GBR
11:57	1345	Men Cadet K2	QF	Chung(Blue)	100118	Player 119	GBR
				Hong(Red)	100061	Player 62	GBR
12:09	1346	Men Cadet K2	QF	Chung(Blue)	100118	Player 119	GBR
				Hong(Red)	100061	Player 62	GBR
12:21	1347	Men Cadet K2	QF	Chung(Blue)	100118	Player 119	GBR
				Hong(Red)	100061	Player 62	GBR
12:33	1348	Men Cadet K1	QF	Chung(Blue)	100118	Player 119	GBR
				Hong(Red)	100061	Player 62	GBR
12:45	1349	Men Cadet K1	QF	Chung(Blue)	100118	Player 119	GBR
				Hong(Red)	100061	Player 62	GBR
12:57	1350	Men Cadet K1	QF	Chung(Blue)	100118	Player 119	GBR
				Hong(Red)	100061	Player 62	GBR
13:09	1351	Men Cadet K1	QF	Chung(Blue)	100118	Player 119	GBR
				Hong(Red)	100061	Player 62	GBR
13:21	1352	Men Cadet DAN	QF	Chung(Blue)	100118	Player 119	GBR
				Hong(Red)	100061	Player 62	GBR

Session Schedule
Day1-Mat1

Start Time	Contest Number	Weight Category	Phase	Colour	WT GAL Number	Name	NOC Code
13:33	1353	Men Cadet DAN	QF	Chung(Blue)	100118	Player 119	GBR
				Hong(Red)	100061	Player 62	GBR
13:45	1354	Men Cadet DAN	QF	Chung(Blue)	100118	Player 119	GBR
				Hong(Red)	100061	Player 62	GBR
13:57	1355	Men Cadet DAN	QF	Chung(Blue)	100118	Player 119	GBR
				Hong(Red)	100061	Player 62	GBR
14:09	1356	Women Cadet K3	QF	Chung(Blue)	100118	Player 119	GBR
				Hong(Red)	100061	Player 62	GBR
14:21	1357	Women Cadet K3	QF	Chung(Blue)	100118	Player 119	GBR
				Hong(Red)	100061	Player 62	GBR
14:33	1358	Women Cadet K3	QF	Chung(Blue)	100118	Player 119	GBR
				Hong(Red)	100061	Player 62	GBR
14:45	1359	Women Cadet K3	QF	Chung(Blue)	100118	Player 119	GBR
				Hong(Red)	100061	Player 62	GBR
14:57	1360	Women Cadet K2	QF	Chung(Blue)	100118	Player 119	GBR
				Hong(Red)	100061	Player 62	GBR
15:09	1361	Women Cadet K2	QF	Chung(Blue)	100118	Player 119	GBR
				Hong(Red)	100061	Player 62	GBR
15:21	1362	Women Cadet K2	QF	Chung(Blue)	100118	Player 119	GBR
				Hong(Red)	100061	Player 62	GBR
15:33	1363	Women Cadet K2	QF	Chung(Blue)	100118	Player 119	GBR
				Hong(Red)	100061	Player 62	GBR

Session Schedule
Day1-Mat1

Start Time	Contest Number	Weight Category	Phase	Colour	WT GAL Number	Name	NOC Code
15:45	1364	Women Cadet K1	QF	Chung(Blue)	100118	Player 119	GBR
				Hong(Red)	100061	Player 62	GBR
15:57	1365	Women Cadet K1	QF	Chung(Blue)	100118	Player 119	GBR
				Hong(Red)	100061	Player 62	GBR
16:09	1366	Women Cadet K1	QF	Chung(Blue)	100118	Player 119	GBR
				Hong(Red)	100061	Player 62	GBR
16:21	1367	Women Cadet K1	QF	Chung(Blue)	100118	Player 119	GBR
				Hong(Red)	100061	Player 62	GBR
16:33	1368	Women Cadet DAN	QF	Chung(Blue)	100118	Player 119	GBR
				Hong(Red)	100061	Player 62	GBR
16:45	1369	Women Cadet DAN	QF	Chung(Blue)	100118	Player 119	GBR
				Hong(Red)	100061	Player 62	GBR
16:57	1370	Women Cadet DAN	QF	Chung(Blue)	100118	Player 119	GBR
				Hong(Red)	100061	Player 62	GBR
17:09	1371	Women Cadet DAN	QF	Chung(Blue)	100118	Player 119	GBR
				Hong(Red)	100061	Player 62	GBR
17:21	1372	Men Junior K3	QF	Chung(Blue)	100118	Player 119	GBR
				Hong(Red)	100061	Player 62	GBR
17:33	1373	Men Junior K3	QF	Chung(Blue)	100118	Player 119	GBR
				Hong(Red)	100061	Player 62	GBR
17:45	1374	Men Junior K3	QF	Chung(Blue)	100118	Player 119	GBR
				Hong(Red)	100061	Player 62	GBR

Session Schedule
Day1-Mat1

Start Time	Contest Number	Weight Category	Phase	Colour	WT GAL Number	Name	NOC Code
17:57	1375	Men Junior K3	QF	Chung(Blue)	100118	Player 119	GBR
				Hong(Red)	100061	Player 62	GBR
18:09	1376	Men Junior K2	QF	Chung(Blue)	100118	Player 119	GBR
				Hong(Red)	100061	Player 62	GBR
18:21	1377	Men Junior K2	QF	Chung(Blue)	100118	Player 119	GBR
				Hong(Red)	100061	Player 62	GBR
18:33	1378	Men Junior K2	QF	Chung(Blue)	100118	Player 119	GBR
				Hong(Red)	100061	Player 62	GBR
18:45	1379	Men Junior K2	QF	Chung(Blue)	100118	Player 119	GBR
				Hong(Red)	100061	Player 62	GBR
18:57	1380	Men Junior K1	QF	Chung(Blue)	100118	Player 119	GBR
				Hong(Red)	100061	Player 62	GBR
19:09	1381	Men Junior K1	QF	Chung(Blue)	100118	Player 119	GBR
				Hong(Red)	100061	Player 62	GBR
19:21	1382	Men Junior K1	QF	Chung(Blue)	100118	Player 119	GBR
				Hong(Red)	100061	Player 62	GBR
19:33	1383	Men Junior K1	QF	Chung(Blue)	100118	Player 119	GBR
				Hong(Red)	100061	Player 62	GBR
19:45	1384	Men Junior DAN	QF	Chung(Blue)	100118	Player 119	GBR
				Hong(Red)	100061	Player 62	GBR
19:57	1385	Men Junior DAN	QF	Chung(Blue)	100118	Player 119	GBR
				Hong(Red)	100061	Player 62	GBR

Session Schedule
Day1-Mat1

Start Time	Contest Number	Weight Category	Phase	Colour	WT GAL Number	Name	NOC Code
20:09	1386	Men Junior DAN	QF	Chung(Blue)	100118	Player 119	GBR
				Hong(Red)	100061	Player 62	GBR
20:21	1387	Men Junior DAN	QF	Chung(Blue)	100118	Player 119	GBR
				Hong(Red)	100061	Player 62	GBR
20:33	1388	Women Junior K3	QF	Chung(Blue)	100118	Player 119	GBR
				Hong(Red)	100061	Player 62	GBR
20:45	1389	Women Junior K3	QF	Chung(Blue)	100118	Player 119	GBR
				Hong(Red)	100061	Player 62	GBR
20:57	1390	Women Junior K3	QF	Chung(Blue)	100118	Player 119	GBR
				Hong(Red)	100061	Player 62	GBR
21:09	1391	Women Junior K3	QF	Chung(Blue)	100118	Player 119	GBR
				Hong(Red)	100061	Player 62	GBR
21:21	1392	Women Junior K2	QF	Chung(Blue)	100118	Player 119	GBR
				Hong(Red)	100061	Player 62	GBR
21:33	1393	Women Junior K2	QF	Chung(Blue)	100118	Player 119	GBR
				Hong(Red)	100061	Player 62	GBR
21:45	1394	Women Junior K2	QF	Chung(Blue)	100118	Player 119	GBR
				Hong(Red)	100061	Player 62	GBR
21:57	1395	Women Junior K2	QF	Chung(Blue)	100118	Player 119	GBR
				Hong(Red)	100061	Player 62	GBR
22:09	1396	Women Junior K1	QF	Chung(Blue)	100118	Player 119	GBR
				Hong(Red)	100061	Player 62	GBR

Session Schedule

Day1-Mat1

Start Time	Contest Number	Weight Category	Phase	Colour	WT GAL Number	Name	NOC Code
22:21	1397	Women Junior K1	QF	Chung(Blue)	100118	Player 119	GBR
				Hong(Red)	100061	Player 62	GBR
22:33	1398	Women Junior K1	QF	Chung(Blue)	100118	Player 119	GBR
				Hong(Red)	100061	Player 62	GBR
22:45	1399	Women Junior K1	QF	Chung(Blue)	100118	Player 119	GBR
				Hong(Red)	100061	Player 62	GBR
22:57	1400	Women Junior DAN	QF	Chung(Blue)	100118	Player 119	GBR
				Hong(Red)	100061	Player 62	GBR
23:09	1401	Women Junior DAN	QF	Chung(Blue)	100118	Player 119	GBR
				Hong(Red)	100061	Player 62	GBR
23:21	1402	Women Junior DAN	QF	Chung(Blue)	100118	Player 119	GBR
				Hong(Red)	100061	Player 62	GBR
23:33	1403	Women Junior DAN	QF	Chung(Blue)	100118	Player 119	GBR
				Hong(Red)	100061	Player 62	GBR
23:45	1404	Men Senior K3	QF	Chung(Blue)	100118	Player 119	GBR
				Hong(Red)	100061	Player 62	GBR
23:57	1405	Men Senior K3	QF	Chung(Blue)	100118	Player 119	GBR
				Hong(Red)	100061	Player 62	GBR
00:09	1406	Men Senior K3	QF	Chung(Blue)	100118	Player 119	GBR
				Hong(Red)	100061	Player 62	GBR
00:21	1407	Men Senior K3	QF	Chung(Blue)	100118	Player 119	GBR
				Hong(Red)	100061	Player 62	GBR

Session Schedule
Day1-Mat1

Start Time	Contest Number	Weight Category	Phase	Colour	WT GAL Number	Name	NOC Code
00:33	1408	Men Peewee DAN	SF	Chung(Blue)	100004	Player 5	GBR
				Hong(Red)	100005	Player 6	GBR
00:45	1409	Women Peewee K3	SF	Chung(Blue)	100009	Player 10	GBR
				Hong(Red)	100006	Player 7	GBR
00:57	1410	Women Peewee K3	SF	Chung(Blue)	100008	Player 9	GBR
				Hong(Red)	100007	Player 8	GBR
01:09	1411	Women Peewee K2	SF	Chung(Blue)	100012	Player 13	GBR
				Hong(Red)	100007	Player 8	GBR
01:21	1412	Women Peewee K2	SF	Chung(Blue)	100011	Player 12	GBR
				Hong(Red)	100010	Player 11	GBR
01:33	1413	Women Peewee K1	SF	Chung(Blue)	100016	Player 17	GBR
				Hong(Red)	100010	Player 11	GBR
01:45	1414	Women Peewee K1	SF	Chung(Blue)	100017	Player 18	GBR
				Hong(Red)	100010	Player 11	GBR
01:57	1415	Women Peewee DAN	SF	Chung(Blue)	100022	Player 23	GBR
				Hong(Red)	100010	Player 11	GBR
02:09	1416	Women Peewee DAN	SF	Chung(Blue)	100022	Player 23	GBR
				Hong(Red)	100010	Player 11	GBR
02:21	1417	Men Children K3	SF	Chung(Blue)	100022	Player 23	GBR
				Hong(Red)	100010	Player 11	GBR
02:33	1418	Men Children K3	SF	Chung(Blue)	100022	Player 23	GBR
				Hong(Red)	100010	Player 11	GBR

Session Schedule
Day1-Mat1

Start Time	Contest Number	Weight Category	Phase	Colour	WT GAL Number	Name	NOC Code
02:45	1419	Men Children K2	SF	Chung(Blue)	100022	Player 23	GBR
				Hong(Red)	100010	Player 11	GBR
02:57	1420	Men Children K2	SF	Chung(Blue)	100022	Player 23	GBR
				Hong(Red)	100010	Player 11	GBR
03:09	1421	Men Children K1	SF	Chung(Blue)	100022	Player 23	GBR
				Hong(Red)	100010	Player 11	GBR
03:21	1422	Men Children K1	SF	Chung(Blue)	100022	Player 23	GBR
				Hong(Red)	100010	Player 11	GBR
03:33	1423	Men Children DAN	SF	Chung(Blue)	100022	Player 23	GBR
				Hong(Red)	100010	Player 11	GBR
03:45	1424	Men Children DAN	SF	Chung(Blue)	100022	Player 23	GBR
				Hong(Red)	100010	Player 11	GBR
03:57	1425	Women Children K3	SF	Chung(Blue)	100022	Player 23	GBR
				Hong(Red)	100010	Player 11	GBR
04:09	1426	Women Children K3	SF	Chung(Blue)	100022	Player 23	GBR
				Hong(Red)	100010	Player 11	GBR
04:21	1427	Women Children K2	SF	Chung(Blue)	100022	Player 23	GBR
				Hong(Red)	100010	Player 11	GBR
04:33	1428	Women Children K2	SF	Chung(Blue)	100022	Player 23	GBR
				Hong(Red)	100010	Player 11	GBR
04:45	1429	Women Children K1	SF	Chung(Blue)	100022	Player 23	GBR
				Hong(Red)	100010	Player 11	GBR

Session Schedule

Day1-Mat1

Start Time	Contest Number	Weight Category	Phase	Colour	WT GAL Number	Name	NOC Code
04:57	1430	Women Children K1	SF	Chung(Blue)	100022	Player 23	GBR
				Hong(Red)	100010	Player 11	GBR
05:09	1431	Women Children DAN	SF	Chung(Blue)	100022	Player 23	GBR
				Hong(Red)	100010	Player 11	GBR
05:21	1432	Women Children DAN	SF	Chung(Blue)	100022	Player 23	GBR
				Hong(Red)	100010	Player 11	GBR
05:33	1433	Men Cadet K3	SF	Chung(Blue)	100022	Player 23	GBR
				Hong(Red)	100010	Player 11	GBR
05:45	1434	Men Cadet K3	SF	Chung(Blue)	100022	Player 23	GBR
				Hong(Red)	100010	Player 11	GBR
05:57	1435	Men Cadet K2	SF	Chung(Blue)	100022	Player 23	GBR
				Hong(Red)	100010	Player 11	GBR
06:09	1436	Men Cadet K2	SF	Chung(Blue)	100022	Player 23	GBR
				Hong(Red)	100010	Player 11	GBR
06:21	1437	Men Cadet K1	SF	Chung(Blue)	100022	Player 23	GBR
				Hong(Red)	100010	Player 11	GBR
06:33	1438	Men Cadet K1	SF	Chung(Blue)	100022	Player 23	GBR
				Hong(Red)	100010	Player 11	GBR
06:45	1439	Men Cadet DAN	SF	Chung(Blue)	100022	Player 23	GBR
				Hong(Red)	100010	Player 11	GBR
06:57	1440	Men Cadet DAN	SF	Chung(Blue)	100022	Player 23	GBR
				Hong(Red)	100010	Player 11	GBR

Session Schedule
Day1-Mat1

Start Time	Contest Number	Weight Category	Phase	Colour	WT GAL Number	Name	NOC Code
07:09	1441	Women Cadet K3	SF	Chung(Blue)	100022	Player 23	GBR
				Hong(Red)	100010	Player 11	GBR
07:21	1442	Women Cadet K3	SF	Chung(Blue)	100022	Player 23	GBR
				Hong(Red)	100010	Player 11	GBR
07:33	1443	Women Cadet K2	SF	Chung(Blue)	100022	Player 23	GBR
				Hong(Red)	100010	Player 11	GBR
07:45	1444	Women Cadet K2	SF	Chung(Blue)	100022	Player 23	GBR
				Hong(Red)	100010	Player 11	GBR
07:57	1445	Women Cadet K1	SF	Chung(Blue)	100022	Player 23	GBR
				Hong(Red)	100010	Player 11	GBR
08:09	1446	Women Cadet K1	SF	Chung(Blue)	100022	Player 23	GBR
				Hong(Red)	100010	Player 11	GBR
08:21	1447	Women Cadet DAN	SF	Chung(Blue)	100022	Player 23	GBR
				Hong(Red)	100010	Player 11	GBR
08:33	1448	Women Cadet DAN	SF	Chung(Blue)	100022	Player 23	GBR
				Hong(Red)	100010	Player 11	GBR
08:45	1449	Men Junior K3	SF	Chung(Blue)	100022	Player 23	GBR
				Hong(Red)	100010	Player 11	GBR
08:57	1450	Men Junior K3	SF	Chung(Blue)	100022	Player 23	GBR
				Hong(Red)	100010	Player 11	GBR
09:09	1451	Men Junior K2	SF	Chung(Blue)	100022	Player 23	GBR
				Hong(Red)	100010	Player 11	GBR

Session Schedule

Day1-Mat1

Start Time	Contest Number	Weight Category	Phase	Colour	WT GAL Number	Name	NOC Code
09:21	1452	Men Junior K2	SF	Chung(Blue)	100022	Player 23	GBR
				Hong(Red)	100010	Player 11	GBR
09:33	1453	Men Junior K1	SF	Chung(Blue)	100022	Player 23	GBR
				Hong(Red)	100010	Player 11	GBR
09:45	1454	Men Junior K1	SF	Chung(Blue)	100022	Player 23	GBR
				Hong(Red)	100010	Player 11	GBR
09:57	1455	Men Junior DAN	SF	Chung(Blue)	100022	Player 23	GBR
				Hong(Red)	100010	Player 11	GBR
10:09	1456	Men Junior DAN	SF	Chung(Blue)	100022	Player 23	GBR
				Hong(Red)	100010	Player 11	GBR
10:21	1457	Women Junior K3	SF	Chung(Blue)	100022	Player 23	GBR
				Hong(Red)	100010	Player 11	GBR
10:33	1458	Women Junior K3	SF	Chung(Blue)	100022	Player 23	GBR
				Hong(Red)	100010	Player 11	GBR
10:45	1459	Women Junior K2	SF	Chung(Blue)	100022	Player 23	GBR
				Hong(Red)	100010	Player 11	GBR
10:57	1460	Women Junior K2	SF	Chung(Blue)	100022	Player 23	GBR
				Hong(Red)	100010	Player 11	GBR
11:09	1461	Women Junior K1	SF	Chung(Blue)	100022	Player 23	GBR
				Hong(Red)	100010	Player 11	GBR
11:21	1462	Women Junior K1	SF	Chung(Blue)	100022	Player 23	GBR
				Hong(Red)	100010	Player 11	GBR

Session Schedule
Day1-Mat1

Start Time	Contest Number	Weight Category	Phase	Colour	WT GAL Number	Name	NOC Code
11:33	1463	Women Junior DAN	SF	Chung(Blue)	100022	Player 23	GBR
				Hong(Red)	100010	Player 11	GBR
11:45	1464	Women Junior DAN	SF	Chung(Blue)	100022	Player 23	GBR
				Hong(Red)	100010	Player 11	GBR
11:57	1465	Men Senior K3	SF	Chung(Blue)	100022	Player 23	GBR
				Hong(Red)	100010	Player 11	GBR
12:09	1466	Men Senior K3	SF	Chung(Blue)	100022	Player 23	GBR
				Hong(Red)	100010	Player 11	GBR
12:21	1467	Men Peewee K1	F	Chung(Blue)	100001	Player 2	GBR
				Hong(Red)	100002	Player 3	GBR
12:33	1468	Men Peewee DAN	F	Chung(Blue)	100003	Player 4	GBR
				Hong(Red)	100002	Player 3	GBR
12:45	1469	Women Peewee K3	F	Chung(Blue)	100003	Player 4	GBR
				Hong(Red)	100002	Player 3	GBR
12:57	1470	Women Peewee K2	F	Chung(Blue)	100003	Player 4	GBR
				Hong(Red)	100002	Player 3	GBR
13:09	1471	Women Peewee K1	F	Chung(Blue)	100003	Player 4	GBR
				Hong(Red)	100002	Player 3	GBR
13:21	1472	Women Peewee DAN	F	Chung(Blue)	100003	Player 4	GBR
				Hong(Red)	100002	Player 3	GBR
13:33	1473	Men Children K3	F	Chung(Blue)	100003	Player 4	GBR
				Hong(Red)	100002	Player 3	GBR

Session Schedule
Day1-Mat1

Start Time	Contest Number	Weight Category	Phase	Colour	WT GAL Number	Name	NOC Code
13:45	1474	Men Children K2	F	Chung(Blue)	100003	Player 4	GBR
				Hong(Red)	100002	Player 3	GBR
13:57	1475	Men Children K1	F	Chung(Blue)	100003	Player 4	GBR
				Hong(Red)	100002	Player 3	GBR
14:09	1476	Men Children DAN	F	Chung(Blue)	100003	Player 4	GBR
				Hong(Red)	100002	Player 3	GBR
14:21	1477	Women Children K3	F	Chung(Blue)	100003	Player 4	GBR
				Hong(Red)	100002	Player 3	GBR
14:33	1478	Women Children K2	F	Chung(Blue)	100003	Player 4	GBR
				Hong(Red)	100002	Player 3	GBR
14:45	1479	Women Children K1	F	Chung(Blue)	100003	Player 4	GBR
				Hong(Red)	100002	Player 3	GBR
14:57	1480	Women Children DAN	F	Chung(Blue)	100003	Player 4	GBR
				Hong(Red)	100002	Player 3	GBR
15:09	1481	Men Cadet K3	F	Chung(Blue)	100003	Player 4	GBR
				Hong(Red)	100002	Player 3	GBR
15:21	1482	Men Cadet K2	F	Chung(Blue)	100003	Player 4	GBR
				Hong(Red)	100002	Player 3	GBR
15:33	1483	Men Cadet K1	F	Chung(Blue)	100003	Player 4	GBR
				Hong(Red)	100002	Player 3	GBR
15:45	1484	Men Cadet DAN	F	Chung(Blue)	100003	Player 4	GBR
				Hong(Red)	100002	Player 3	GBR

Session Schedule
Day1-Mat1

Start Time	Contest Number	Weight Category	Phase	Colour	WT GAL Number	Name	NOC Code
15:57	1485	Women Cadet K3	F	Chung(Blue)	100003	Player 4	GBR
				Hong(Red)	100002	Player 3	GBR
16:09	1486	Women Cadet K2	F	Chung(Blue)	100003	Player 4	GBR
				Hong(Red)	100002	Player 3	GBR
16:21	1487	Women Cadet K1	F	Chung(Blue)	100003	Player 4	GBR
				Hong(Red)	100002	Player 3	GBR
16:33	1488	Women Cadet DAN	F	Chung(Blue)	100003	Player 4	GBR
				Hong(Red)	100002	Player 3	GBR
16:45	1489	Men Junior K3	F	Chung(Blue)	100003	Player 4	GBR
				Hong(Red)	100002	Player 3	GBR
16:57	1490	Men Junior K2	F	Chung(Blue)	100003	Player 4	GBR
				Hong(Red)	100002	Player 3	GBR
17:09	1491	Men Junior K1	F	Chung(Blue)	100003	Player 4	GBR
				Hong(Red)	100002	Player 3	GBR
17:21	1492	Men Junior DAN	F	Chung(Blue)	100003	Player 4	GBR
				Hong(Red)	100002	Player 3	GBR
17:33	1493	Women Junior K3	F	Chung(Blue)	100003	Player 4	GBR
				Hong(Red)	100002	Player 3	GBR
17:45	1494	Women Junior K2	F	Chung(Blue)	100003	Player 4	GBR
				Hong(Red)	100002	Player 3	GBR
17:57	1495	Women Junior K1	F	Chung(Blue)	100003	Player 4	GBR
				Hong(Red)	100002	Player 3	GBR

Session Schedule

Day1-Mat1

Start Time	Contest Number	Weight Category	Phase	Colour	WT GAL Number	Name	NOC Code
18:09	1496	Women Junior DAN	F	Chung(Blue)	100003	Player 4	GBR
				Hong(Red)	100002	Player 3	GBR
18:21	1497	Men Senior K3	F	Chung(Blue)	100003	Player 4	GBR
				Hong(Red)	100002	Player 3	GBR



Session Schedule

Day1-Mat2

Start Time	Contest Number	Weight Category	Phase	Colour	WT GAL Number	Name	NOC Code
------------	----------------	-----------------	-------	--------	---------------	------	----------



Session Schedule

Day1-Mat3

Start Time	Contest Number	Weight Category	Phase	Colour	WT GAL Number	Name	NOC Code
------------	----------------	-----------------	-------	--------	---------------	------	----------



Session Schedule

Day1-Mat4

Start Time	Contest Number	Weight Category	Phase	Colour	WT GAL Number	Name	NOC Code
------------	----------------	-----------------	-------	--------	---------------	------	----------



Session Schedule

Day1-Mat5

Start Time	Contest Number	Weight Category	Phase	Colour	WT GAL Number	Name	NOC Code
------------	----------------	-----------------	-------	--------	---------------	------	----------

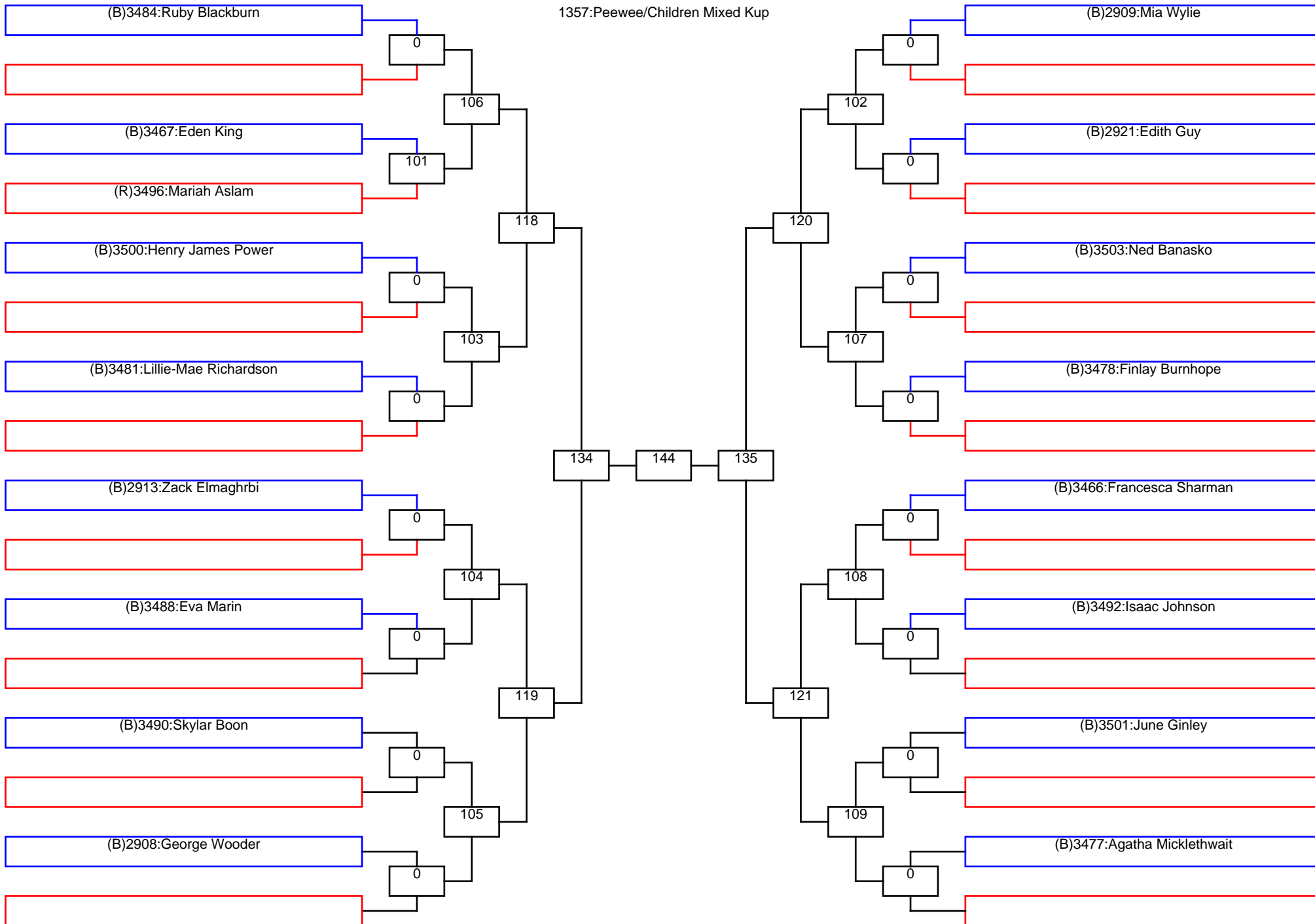


Session Schedule

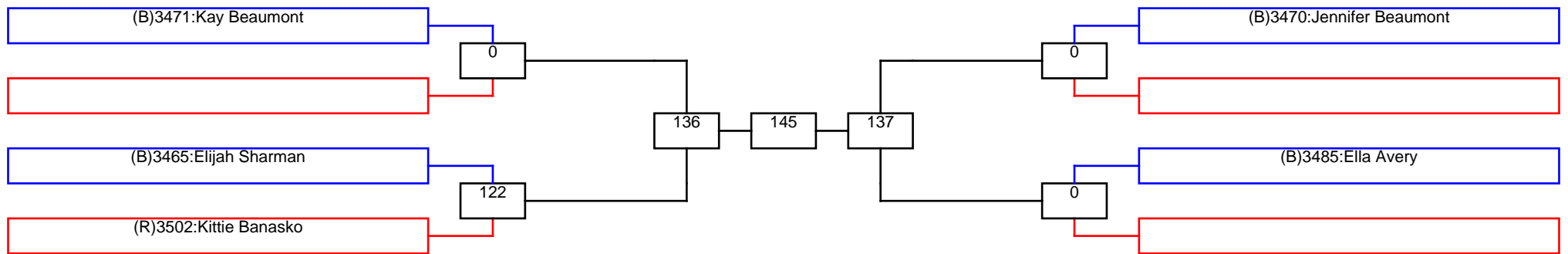
Day1-Mat6

Start Time	Contest Number	Weight Category	Phase	Colour	WT GAL Number	Name	NOC Code
------------	----------------	-----------------	-------	--------	---------------	------	----------

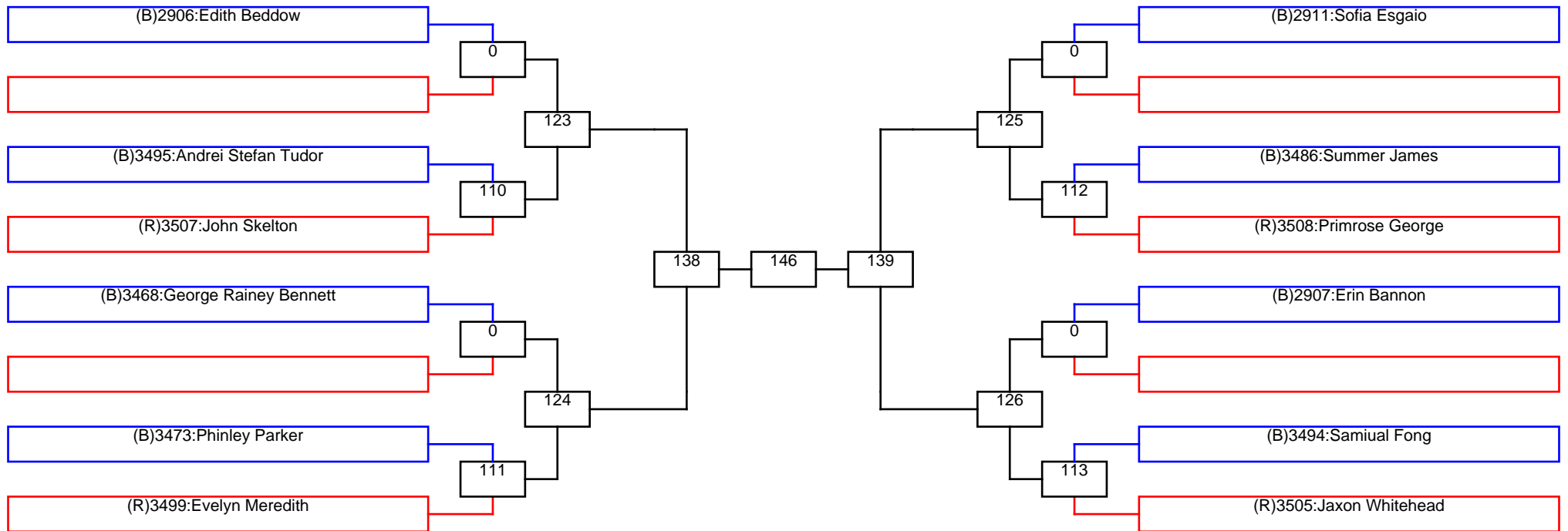
1357:Peewee/Children Mixed Kup



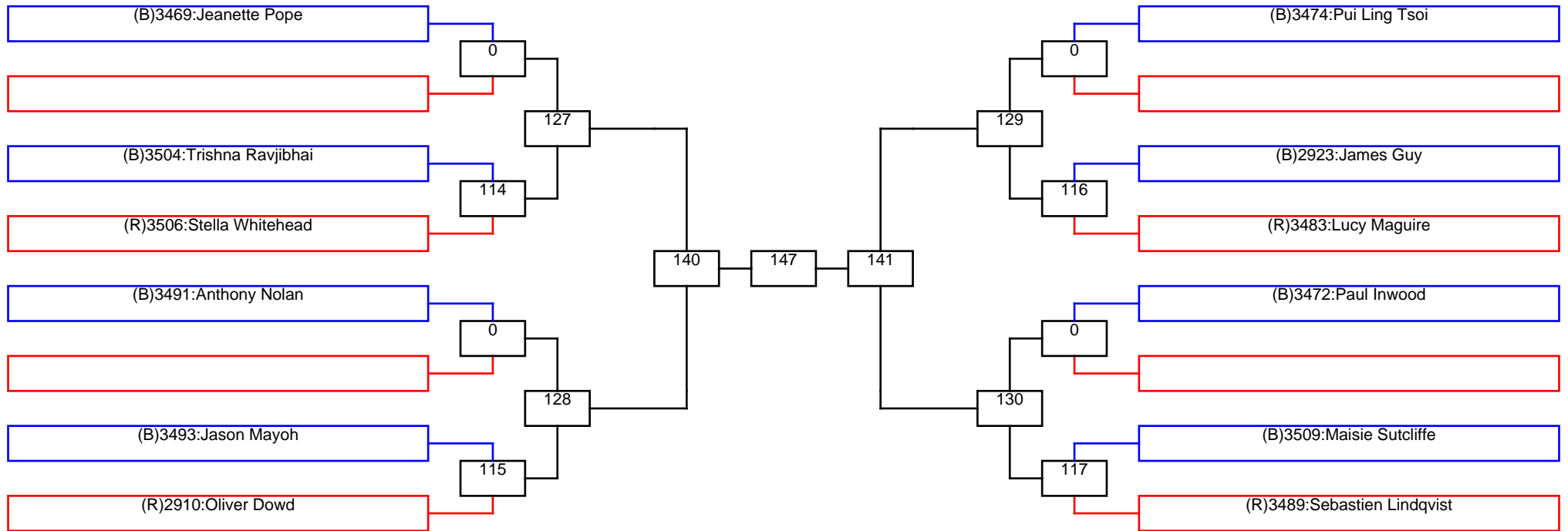
1365:Cadet/Junior/Senior/Veteran Mixed Kup

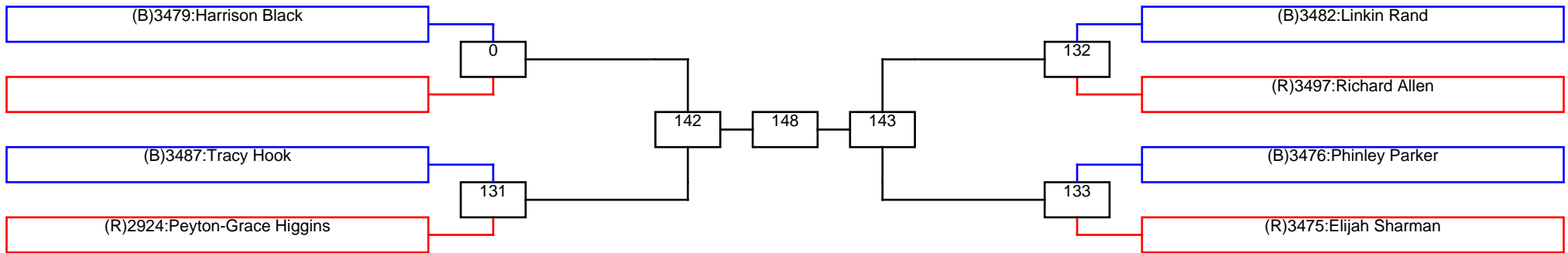


1368:Children/Cadet/Junior Mixed DAN



1392:Senior/Veteran Mixed DAN





Contest Results
R32 Peewee/Children Mixed Kup

101

Eden King

Mariah Aslam

Color	Name	NOC Code	GAL	Score	Round									
					1			2			3			
					P	GJ	Win	P	GJ	Win	P	GJ	Win	
Chung	Eden King		000003											
Hong	Mariah Aslam		1379758											

Description	Blue Name			Red Name		
	Round 1	Round 2	Round 3	Round 1	Round 2	Round 3
Body kick 2 points	0	0	0	0	0	0
Turning body kick 4 points	0	0	0	0	0	0
Head kick 3 points	0	0	0	0	0	0
Turning head kick 5 points	0	0	0	0	0	0
Punch 1 point	0	0	0	0	0	0
Gam-jeom	0	0	0	0	0	0

Instant video replay request	Name	NOC	Round	Result	Remaining quota

Referee assignment	Name	NOC
Centre referee (CR)		
Corner judge 1 (J1)		
Corner judge 2 (J2)		
Review jury (RJ)		

Contest Results
R16 Peewee/Children Mixed Kup

102

Mia Wylie

Edith Guy

Color	Name	NOC Code	GAL	Score	Round									
					1			2			3			
					P	GJ	Win	P	GJ	Win	P	GJ	Win	
Chung	Mia Wylie		M123456											
Hong	Edith Guy		110626											

Description	Blue Name			Red Name		
	Round 1	Round 2	Round 3	Round 1	Round 2	Round 3
Body kick 2 points	0	0	0	0	0	0
Turning body kick 4 points	0	0	0	0	0	0
Head kick 3 points	0	0	0	0	0	0
Turning head kick 5 points	0	0	0	0	0	0
Punch 1 point	0	0	0	0	0	0
Gam-jeom	0	0	0	0	0	0

Instant video replay request	Name	NOC	Round	Result	Remaining quota

Referee assignment	Name	NOC
Centre referee (CR)		
Corner judge 1 (J1)		
Corner judge 2 (J2)		
Review jury (RJ)		

Contest Results
R16 Peewee/Children Mixed Kup
103

Henry James Power
Lillie-Mae Richardson

Color	Name	NOC Code	GAL	Score	Round									
					1			2			3			
					P	GJ	Win	P	GJ	Win	P	GJ	Win	
Chung	Henry James Power		1378181											
Hong	Lillie-Mae Richardson		1384211											

Description	Blue Name			Red Name		
	Round 1	Round 2	Round 3	Round 1	Round 2	Round 3
Body kick 2 points	0	0	0	0	0	0
Turning body kick 4 points	0	0	0	0	0	0
Head kick 3 points	0	0	0	0	0	0
Turning head kick 5 points	0	0	0	0	0	0
Punch 1 point	0	0	0	0	0	0
Gam-jeom	0	0	0	0	0	0

Instant video replay request	Name	NOC	Round	Result	Remaining quota

Referee assignment	Name	NOC
Centre referee (CR)		
Corner judge 1 (J1)		
Corner judge 2 (J2)		
Review jury (RJ)		

Contest Results
R16 Peewee/Children Mixed Kup

104

Zack Elmaghrbi

Eva Marin

Color	Name	NOC Code	GAL	Score	Round									
					1			2			3			
					P	GJ	Win	P	GJ	Win	P	GJ	Win	
Chung	Zack Elmaghrbi		M123456											
Hong	Eva Marin		1370460											

Description	Blue Name			Red Name		
	Round 1	Round 2	Round 3	Round 1	Round 2	Round 3
Body kick 2 points	0	0	0	0	0	0
Turning body kick 4 points	0	0	0	0	0	0
Head kick 3 points	0	0	0	0	0	0
Turning head kick 5 points	0	0	0	0	0	0
Punch 1 point	0	0	0	0	0	0
Gam-jeom	0	0	0	0	0	0

Instant video replay request	Name	NOC	Round	Result	Remaining quota

Referee assignment	Name	NOC
Centre referee (CR)		
Corner judge 1 (J1)		
Corner judge 2 (J2)		
Review jury (RJ)		

Contest Results
R16 Peewee/Children Mixed Kup

105

Skylar Boon
George Wooder

Color	Name	NOC Code	GAL	Score	Round										
					1			2			3				
					P	GJ	Win	P	GJ	Win	P	GJ	Win		
Chung	Skylar Boon		1384919												
Hong	George Wooder		M123456												

Description	Blue Name			Red Name		
	Round 1	Round 2	Round 3	Round 1	Round 2	Round 3
Body kick 2 points	0	0	0	0	0	0
Turning body kick 4 points	0	0	0	0	0	0
Head kick 3 points	0	0	0	0	0	0
Turning head kick 5 points	0	0	0	0	0	0
Punch 1 point	0	0	0	0	0	0
Gam-jeom	0	0	0	0	0	0

Instant video replay request	Name	NOC	Round	Result	Remaining quota

Referee assignment	Name	NOC
Centre referee (CR)		
Corner judge 1 (J1)		
Corner judge 2 (J2)		
Review jury (RJ)		

Contest Results
R16 Peewee/Children Mixed Kup

106

Ruby Blackburn

Eden King

Color	Name	NOC Code	GAL	Score	Round									
					1			2			3			
					P	GJ	Win	P	GJ	Win	P	GJ	Win	
Chung	Ruby Blackburn		1391842											
Hong	Eden King		000003											

Description	Blue Name			Red Name		
	Round 1	Round 2	Round 3	Round 1	Round 2	Round 3
Body kick 2 points	0	0	0	0	0	0
Turning body kick 4 points	0	0	0	0	0	0
Head kick 3 points	0	0	0	0	0	0
Turning head kick 5 points	0	0	0	0	0	0
Punch 1 point	0	0	0	0	0	0
Gam-jeom	0	0	0	0	0	0

Instant video replay request	Name	NOC	Round	Result	Remaining quota

Referee assignment	Name	NOC
Centre referee (CR)		
Corner judge 1 (J1)		
Corner judge 2 (J2)		
Review jury (RJ)		

Contest Results
R16 Peewee/Children Mixed Kup

107

Ned Banasko

Finlay Burnhope

Color	Name	NOC Code	GAL	Score	Round										
					1			2			3				
					P	GJ	Win	P	GJ	Win	P	GJ	Win		
Chung	Ned Banasko		2003031												
Hong	Finlay Burnhope		1395697												

Description	Blue Name			Red Name		
	Round 1	Round 2	Round 3	Round 1	Round 2	Round 3
Body kick 2 points	0	0	0	0	0	0
Turning body kick 4 points	0	0	0	0	0	0
Head kick 3 points	0	0	0	0	0	0
Turning head kick 5 points	0	0	0	0	0	0
Punch 1 point	0	0	0	0	0	0
Gam-jeom	0	0	0	0	0	0

Instant video replay request	Name	NOC	Round	Result	Remaining quota

Referee assignment	Name	NOC
Centre referee (CR)		
Corner judge 1 (J1)		
Corner judge 2 (J2)		
Review jury (RJ)		

Contest Results
R16 Peewee/Children Mixed Kup

108

Francesca Sharman

Isaac Johnson

Color	Name	NOC Code	GAL	Score	Round									
					1			2			3			
					P	GJ	Win	P	GJ	Win	P	GJ	Win	
Chung	Francesca Sharman		M145875											
Hong	Isaac Johnson		1389488											

Description	Blue Name			Red Name		
	Round 1	Round 2	Round 3	Round 1	Round 2	Round 3
Body kick 2 points	0	0	0	0	0	0
Turning body kick 4 points	0	0	0	0	0	0
Head kick 3 points	0	0	0	0	0	0
Turning head kick 5 points	0	0	0	0	0	0
Punch 1 point	0	0	0	0	0	0
Gam-jeom	0	0	0	0	0	0

Instant video replay request	Name	NOC	Round	Result	Remaining quota

Referee assignment	Name	NOC
Centre referee (CR)		
Corner judge 1 (J1)		
Corner judge 2 (J2)		
Review jury (RJ)		

Contest Results
R16 Peewee/Children Mixed Kup

109

June Ginley

Agatha Micklethwait

Color	Name	NOC Code	GAL	Score	Round										
					1			2			3				
					P	GJ	Win	P	GJ	Win	P	GJ	Win		
Chung	June Ginley		2006296												
Hong	Agatha Micklethwait		1380180												

Description	Blue Name			Red Name		
	Round 1	Round 2	Round 3	Round 1	Round 2	Round 3
Body kick 2 points	0	0	0	0	0	0
Turning body kick 4 points	0	0	0	0	0	0
Head kick 3 points	0	0	0	0	0	0
Turning head kick 5 points	0	0	0	0	0	0
Punch 1 point	0	0	0	0	0	0
Gam-jeom	0	0	0	0	0	0

Instant video replay request	Name	NOC	Round	Result	Remaining quota

Referee assignment	Name	NOC
Centre referee (CR)		
Corner judge 1 (J1)		
Corner judge 2 (J2)		
Review jury (RJ)		

Contest Results
R16 Children/Cadet/Junior Mixed DAN

110

Andrei Stefan Tudor

John Skelton

Color	Name	NOC Code	GAL	Score	Round										
					1			2			3				
					P	GJ	Win	P	GJ	Win	P	GJ	Win		
Chung	Andrei Stefan Tudor		2003922												
Hong	John Skelton		123												

Description	Blue Name			Red Name		
	Round 1	Round 2	Round 3	Round 1	Round 2	Round 3
Body kick 2 points	0	0	0	0	0	0
Turning body kick 4 points	0	0	0	0	0	0
Head kick 3 points	0	0	0	0	0	0
Turning head kick 5 points	0	0	0	0	0	0
Punch 1 point	0	0	0	0	0	0
Gam-jeom	0	0	0	0	0	0

Instant video replay request	Name	NOC	Round	Result	Remaining quota

Referee assignment	Name	NOC
Centre referee (CR)		
Corner judge 1 (J1)		
Corner judge 2 (J2)		
Review jury (RJ)		

Contest Results
R16 Children/Cadet/Junior Mixed DAN

111

Phinley Parker**Evelyn Meredith**

Color	Name	NOC Code	GAL	Score	Round									
					1			2			3			
					P	GJ	Win	P	GJ	Win	P	GJ	Win	
Chung	Phinley Parker		000001											
Hong	Evelyn Meredith		2004042											

Description	Blue Name			Red Name		
	Round 1	Round 2	Round 3	Round 1	Round 2	Round 3
Body kick 2 points	0	0	0	0	0	0
Turning body kick 4 points	0	0	0	0	0	0
Head kick 3 points	0	0	0	0	0	0
Turning head kick 5 points	0	0	0	0	0	0
Punch 1 point	0	0	0	0	0	0
Gam-jeom	0	0	0	0	0	0

Instant video replay request	Name	NOC	Round	Result	Remaining quota

Referee assignment	Name	NOC
Centre referee (CR)		
Corner judge 1 (J1)		
Corner judge 2 (J2)		
Review jury (RJ)		

Contest Results
R16 Children/Cadet/Junior Mixed DAN

112

Summer James

Primrose George

Color	Name	NOC Code	GAL	Score	Round									
					1			2			3			
					P	GJ	Win	P	GJ	Win	P	GJ	Win	
Chung	Summer James		1380901											
Hong	Primrose George		123											

Description	Blue Name			Red Name		
	Round 1	Round 2	Round 3	Round 1	Round 2	Round 3
Body kick 2 points	0	0	0	0	0	0
Turning body kick 4 points	0	0	0	0	0	0
Head kick 3 points	0	0	0	0	0	0
Turning head kick 5 points	0	0	0	0	0	0
Punch 1 point	0	0	0	0	0	0
Gam-jeom	0	0	0	0	0	0

Instant video replay request	Name	NOC	Round	Result	Remaining quota

Referee assignment	Name	NOC
Centre referee (CR)		
Corner judge 1 (J1)		
Corner judge 2 (J2)		
Review jury (RJ)		

Contest Results
R16 Children/Cadet/Junior Mixed DAN

113

Samiual Fong**Jaxon Whitehead**

Color	Name	NOC Code	GAL	Score	Round										
					1			2			3				
					P	GJ	Win	P	GJ	Win	P	GJ	Win		
Chung	Samiual Fong		1389460												
Hong	Jaxon Whitehead		1363643												

Description	Blue Name			Red Name		
	Round 1	Round 2	Round 3	Round 1	Round 2	Round 3
Body kick 2 points	0	0	0	0	0	0
Turning body kick 4 points	0	0	0	0	0	0
Head kick 3 points	0	0	0	0	0	0
Turning head kick 5 points	0	0	0	0	0	0
Punch 1 point	0	0	0	0	0	0
Gam-jeom	0	0	0	0	0	0

Instant video replay request	Name	NOC	Round	Result	Remaining quota

Referee assignment	Name	NOC
Centre referee (CR)		
Corner judge 1 (J1)		
Corner judge 2 (J2)		
Review jury (RJ)		

Contest Results
R16 Senior/Veteran Mixed DAN

114

Trishna Ravjibhai

Stella Whitehead

Color	Name	NOC Code	GAL	Score	Round									
					1			2			3			
					P	GJ	Win	P	GJ	Win	P	GJ	Win	
Chung	Trishna Ravjibhai		85965											
Hong	Stella Whitehead		1354626											

Description	Blue Name			Red Name		
	Round 1	Round 2	Round 3	Round 1	Round 2	Round 3
Body kick 2 points	0	0	0	0	0	0
Turning body kick 4 points	0	0	0	0	0	0
Head kick 3 points	0	0	0	0	0	0
Turning head kick 5 points	0	0	0	0	0	0
Punch 1 point	0	0	0	0	0	0
Gam-jeom	0	0	0	0	0	0

Instant video replay request	Name	NOC	Round	Result	Remaining quota

Referee assignment	Name	NOC
Centre referee (CR)		
Corner judge 1 (J1)		
Corner judge 2 (J2)		
Review jury (RJ)		

Contest Results
R16 Senior/Veteran Mixed DAN

115

Jason Mayoh

Oliver Dowd

Color	Name	NOC Code	GAL	Score	Round									
					1			2			3			
					P	GJ	Win	P	GJ	Win	P	GJ	Win	
Chung	Jason Mayoh		2000431											
Hong	Oliver Dowd		M123456											

Description	Blue Name			Red Name		
	Round 1	Round 2	Round 3	Round 1	Round 2	Round 3
Body kick 2 points	0	0	0	0	0	0
Turning body kick 4 points	0	0	0	0	0	0
Head kick 3 points	0	0	0	0	0	0
Turning head kick 5 points	0	0	0	0	0	0
Punch 1 point	0	0	0	0	0	0
Gam-jeom	0	0	0	0	0	0

Instant video replay request	Name	NOC	Round	Result	Remaining quota

Referee assignment	Name	NOC
Centre referee (CR)		
Corner judge 1 (J1)		
Corner judge 2 (J2)		
Review jury (RJ)		

Contest Results
R16 Senior/Veteran Mixed DAN

116

James Guy**Lucy Maguire**

Color	Name	NOC Code	GAL	Score	Round									
					1			2			3			
					P	GJ	Win	P	GJ	Win	P	GJ	Win	
Chung	James Guy		110526											
Hong	Lucy Maguire		1375949											

Description	Blue Name			Red Name		
	Round 1	Round 2	Round 3	Round 1	Round 2	Round 3
Body kick 2 points	0	0	0	0	0	0
Turning body kick 4 points	0	0	0	0	0	0
Head kick 3 points	0	0	0	0	0	0
Turning head kick 5 points	0	0	0	0	0	0
Punch 1 point	0	0	0	0	0	0
Gam-jeom	0	0	0	0	0	0

Instant video replay request	Name	NOC	Round	Result	Remaining quota

Referee assignment	Name	NOC
Centre referee (CR)		
Corner judge 1 (J1)		
Corner judge 2 (J2)		
Review jury (RJ)		

Contest Results
R16 Senior/Veteran Mixed DAN

117

Maisie Sutcliffe**Sebastien Lindqvist**

Color	Name	NOC Code	GAL	Score	Round									
					1			2			3			
					P	GJ	Win	P	GJ	Win	P	GJ	Win	
Chung	Maisie Sutcliffe		123											
Hong	Sebastien Lindqvist		1363148											

Description	Blue Name			Red Name		
	Round 1	Round 2	Round 3	Round 1	Round 2	Round 3
Body kick 2 points	0	0	0	0	0	0
Turning body kick 4 points	0	0	0	0	0	0
Head kick 3 points	0	0	0	0	0	0
Turning head kick 5 points	0	0	0	0	0	0
Punch 1 point	0	0	0	0	0	0
Gam-jeom	0	0	0	0	0	0

Instant video replay request	Name	NOC	Round	Result	Remaining quota

Referee assignment	Name	NOC
Centre referee (CR)		
Corner judge 1 (J1)		
Corner judge 2 (J2)		
Review jury (RJ)		

Contest Results
QF Peewee/Children Mixed Kup

118

Ruby Blackburn

Lillie-Mae Richardson

Color	Name	NOC Code	GAL	Score	Round									
					1			2			3			
					P	GJ	Win	P	GJ	Win	P	GJ	Win	
Chung	Ruby Blackburn		1391842											
Hong	Lillie-Mae Richardson		1384211											

Description	Blue Name			Red Name		
	Round 1	Round 2	Round 3	Round 1	Round 2	Round 3
Body kick 2 points	0	0	0	0	0	0
Turning body kick 4 points	0	0	0	0	0	0
Head kick 3 points	0	0	0	0	0	0
Turning head kick 5 points	0	0	0	0	0	0
Punch 1 point	0	0	0	0	0	0
Gam-jeom	0	0	0	0	0	0

Instant video replay request	Name	NOC	Round	Result	Remaining quota

Referee assignment	Name	NOC
Centre referee (CR)		
Corner judge 1 (J1)		
Corner judge 2 (J2)		
Review jury (RJ)		

Contest Results
QF Peewee/Children Mixed Kup

119

Eva Marin

George Wooder

Color	Name	NOC Code	GAL	Score	Round										
					1			2			3				
					P	GJ	Win	P	GJ	Win	P	GJ	Win		
Chung	Eva Marin		1370460												
Hong	George Wooder		M123456												

Description	Blue Name			Red Name		
	Round 1	Round 2	Round 3	Round 1	Round 2	Round 3
Body kick 2 points	0	0	0	0	0	0
Turning body kick 4 points	0	0	0	0	0	0
Head kick 3 points	0	0	0	0	0	0
Turning head kick 5 points	0	0	0	0	0	0
Punch 1 point	0	0	0	0	0	0
Gam-jeom	0	0	0	0	0	0

Instant video replay request	Name	NOC	Round	Result	Remaining quota

Referee assignment	Name	NOC
Centre referee (CR)		
Corner judge 1 (J1)		
Corner judge 2 (J2)		
Review jury (RJ)		

Contest Results
QF Peewee/Children Mixed Kup

120

Mia Wylie**Ned Banasko**

Color	Name	NOC Code	GAL	Score	Round									
					1			2			3			
					P	GJ	Win	P	GJ	Win	P	GJ	Win	
Chung	Mia Wylie		M123456											
Hong	Ned Banasko		2003031											

Description	Blue Name			Red Name		
	Round 1	Round 2	Round 3	Round 1	Round 2	Round 3
Body kick 2 points	0	0	0	0	0	0
Turning body kick 4 points	0	0	0	0	0	0
Head kick 3 points	0	0	0	0	0	0
Turning head kick 5 points	0	0	0	0	0	0
Punch 1 point	0	0	0	0	0	0
Gam-jeom	0	0	0	0	0	0

Instant video replay request	Name	NOC	Round	Result	Remaining quota

Referee assignment	Name	NOC
Centre referee (CR)		
Corner judge 1 (J1)		
Corner judge 2 (J2)		
Review jury (RJ)		

Contest Results
QF Peewee/Children Mixed Kup

121

Francesca Sharman

Agatha Micklethwait

Color	Name	NOC Code	GAL	Score	Round									
					1			2			3			
					P	GJ	Win	P	GJ	Win	P	GJ	Win	
Chung	Francesca Sharman		M145875											
Hong	Agatha Micklethwait		1380180											

Description	Blue Name			Red Name		
	Round 1	Round 2	Round 3	Round 1	Round 2	Round 3
Body kick 2 points	0	0	0	0	0	0
Turning body kick 4 points	0	0	0	0	0	0
Head kick 3 points	0	0	0	0	0	0
Turning head kick 5 points	0	0	0	0	0	0
Punch 1 point	0	0	0	0	0	0
Gam-jeom	0	0	0	0	0	0

Instant video replay request	Name	NOC	Round	Result	Remaining quota

Referee assignment	Name	NOC
Centre referee (CR)		
Corner judge 1 (J1)		
Corner judge 2 (J2)		
Review jury (RJ)		

Contest Results
QF Cadet/Junior/Senior/Veteran Mixed Kup

122

Elijah Sharman

Kittie Banasko

Color	Name	NOC Code	GAL	Score	Round									
					1			2			3			
					P	GJ	Win	P	GJ	Win	P	GJ	Win	
Chung	Elijah Sharman		M121441											
Hong	Kittie Banasko		2006297											

Description	Blue Name			Red Name		
	Round 1	Round 2	Round 3	Round 1	Round 2	Round 3
Body kick 2 points	0	0	0	0	0	0
Turning body kick 4 points	0	0	0	0	0	0
Head kick 3 points	0	0	0	0	0	0
Turning head kick 5 points	0	0	0	0	0	0
Punch 1 point	0	0	0	0	0	0
Gam-jeom	0	0	0	0	0	0

Instant video replay request	Name	NOC	Round	Result	Remaining quota

Referee assignment	Name	NOC
Centre referee (CR)		
Corner judge 1 (J1)		
Corner judge 2 (J2)		
Review jury (RJ)		

Contest Results
QF Children/Cadet/Junior Mixed DAN

123

Edith Beddow

John Skelton

Color	Name	NOC Code	GAL	Score	Round									
					1			2			3			
					P	GJ	Win	P	GJ	Win	P	GJ	Win	
Chung	Edith Beddow		M123456											
Hong	John Skelton		123											

Description	Blue Name			Red Name		
	Round 1	Round 2	Round 3	Round 1	Round 2	Round 3
Body kick 2 points	0	0	0	0	0	0
Turning body kick 4 points	0	0	0	0	0	0
Head kick 3 points	0	0	0	0	0	0
Turning head kick 5 points	0	0	0	0	0	0
Punch 1 point	0	0	0	0	0	0
Gam-jeom	0	0	0	0	0	0

Instant video replay request	Name	NOC	Round	Result	Remaining quota

Referee assignment	Name	NOC
Centre referee (CR)		
Corner judge 1 (J1)		
Corner judge 2 (J2)		
Review jury (RJ)		

Contest Results
QF Children/Cadet/Junior Mixed DAN
124

George Rainey Bennett

Evelyn Meredith

Color	Name	NOC Code	GAL	Score	Round									
					1			2			3			
					P	GJ	Win	P	GJ	Win	P	GJ	Win	
Chung	George Rainey Bennett		M1367260											
Hong	Evelyn Meredith		2004042											

Description	Blue Name			Red Name		
	Round 1	Round 2	Round 3	Round 1	Round 2	Round 3
Body kick 2 points	0	0	0	0	0	0
Turning body kick 4 points	0	0	0	0	0	0
Head kick 3 points	0	0	0	0	0	0
Turning head kick 5 points	0	0	0	0	0	0
Punch 1 point	0	0	0	0	0	0
Gam-jeom	0	0	0	0	0	0

Instant video replay request	Name	NOC	Round	Result	Remaining quota

Referee assignment	Name	NOC
Centre referee (CR)		
Corner judge 1 (J1)		
Corner judge 2 (J2)		
Review jury (RJ)		

Contest Results
QF Children/Cadet/Junior Mixed DAN

125

Sofia Esgaio**Primrose George**

Color	Name	NOC Code	GAL	Score	Round										
					1			2			3				
					P	GJ	Win	P	GJ	Win	P	GJ	Win		
Chung	Sofia Esgaio		M123456												
Hong	Primrose George		123												

Description	Blue Name			Red Name		
	Round 1	Round 2	Round 3	Round 1	Round 2	Round 3
Body kick 2 points	0	0	0	0	0	0
Turning body kick 4 points	0	0	0	0	0	0
Head kick 3 points	0	0	0	0	0	0
Turning head kick 5 points	0	0	0	0	0	0
Punch 1 point	0	0	0	0	0	0
Gam-jeom	0	0	0	0	0	0

Instant video replay request	Name	NOC	Round	Result	Remaining quota

Referee assignment	Name	NOC
Centre referee (CR)		
Corner judge 1 (J1)		
Corner judge 2 (J2)		
Review jury (RJ)		

Contest Results
QF Children/Cadet/Junior Mixed DAN

126

Erin Bannon

Jaxon Whitehead

Color	Name	NOC Code	GAL	Score	Round										
					1			2			3				
					P	GJ	Win	P	GJ	Win	P	GJ	Win		
Chung	Erin Bannon		M123456												
Hong	Jaxon Whitehead		1363643												

Description	Blue Name			Red Name		
	Round 1	Round 2	Round 3	Round 1	Round 2	Round 3
Body kick 2 points	0	0	0	0	0	0
Turning body kick 4 points	0	0	0	0	0	0
Head kick 3 points	0	0	0	0	0	0
Turning head kick 5 points	0	0	0	0	0	0
Punch 1 point	0	0	0	0	0	0
Gam-jeom	0	0	0	0	0	0

Instant video replay request	Name	NOC	Round	Result	Remaining quota

Referee assignment	Name	NOC
Centre referee (CR)		
Corner judge 1 (J1)		
Corner judge 2 (J2)		
Review jury (RJ)		

Contest Results
QF Senior/Veteran Mixed DAN

127

Jeanette Pope**Stella Whitehead**

Color	Name	NOC Code	GAL	Score	Round									
					1			2			3			
					P	GJ	Win	P	GJ	Win	P	GJ	Win	
Chung	Jeanette Pope		M200436											
Hong	Stella Whitehead		1354626											

Description	Blue Name			Red Name		
	Round 1	Round 2	Round 3	Round 1	Round 2	Round 3
Body kick 2 points	0	0	0	0	0	0
Turning body kick 4 points	0	0	0	0	0	0
Head kick 3 points	0	0	0	0	0	0
Turning head kick 5 points	0	0	0	0	0	0
Punch 1 point	0	0	0	0	0	0
Gam-jeom	0	0	0	0	0	0

Instant video replay request	Name	NOC	Round	Result	Remaining quota

Referee assignment	Name	NOC
Centre referee (CR)		
Corner judge 1 (J1)		
Corner judge 2 (J2)		
Review jury (RJ)		

Contest Results
QF Senior/Veteran Mixed DAN

128

Anthony Nolan**Oliver Dowd**

Color	Name	NOC Code	GAL	Score	Round										
					1			2			3				
					P	GJ	Win	P	GJ	Win	P	GJ	Win		
Chung	Anthony Nolan		2000147												
Hong	Oliver Dowd		M123456												

Description	Blue Name			Red Name		
	Round 1	Round 2	Round 3	Round 1	Round 2	Round 3
Body kick 2 points	0	0	0	0	0	0
Turning body kick 4 points	0	0	0	0	0	0
Head kick 3 points	0	0	0	0	0	0
Turning head kick 5 points	0	0	0	0	0	0
Punch 1 point	0	0	0	0	0	0
Gam-jeom	0	0	0	0	0	0

Instant video replay request	Name	NOC	Round	Result	Remaining quota

Referee assignment	Name	NOC
Centre referee (CR)		
Corner judge 1 (J1)		
Corner judge 2 (J2)		
Review jury (RJ)		

Contest Results
QF Senior/Veteran Mixed DAN

129

Pui Ling Tsoi**James Guy**

Color	Name	NOC Code	GAL	Score	Round										
					1			2			3				
					P	GJ	Win	P	GJ	Win	P	GJ	Win		
Chung	Pui Ling Tsoi		M1385832												
Hong	James Guy		110526												

Description	Blue Name			Red Name		
	Round 1	Round 2	Round 3	Round 1	Round 2	Round 3
Body kick 2 points	0	0	0	0	0	0
Turning body kick 4 points	0	0	0	0	0	0
Head kick 3 points	0	0	0	0	0	0
Turning head kick 5 points	0	0	0	0	0	0
Punch 1 point	0	0	0	0	0	0
Gam-jeom	0	0	0	0	0	0

Instant video replay request	Name	NOC	Round	Result	Remaining quota

Referee assignment	Name	NOC
Centre referee (CR)		
Corner judge 1 (J1)		
Corner judge 2 (J2)		
Review jury (RJ)		

Contest Results
QF Senior/Veteran Mixed DAN

130

Paul Inwood

Sebastien Lindqvist

Color	Name	NOC Code	GAL	Score	Round									
					1			2			3			
					P	GJ	Win	P	GJ	Win	P	GJ	Win	
Chung	Paul Inwood		000002											
Hong	Sebastien Lindqvist		1363148											

Description	Blue Name			Red Name		
	Round 1	Round 2	Round 3	Round 1	Round 2	Round 3
Body kick 2 points	0	0	0	0	0	0
Turning body kick 4 points	0	0	0	0	0	0
Head kick 3 points	0	0	0	0	0	0
Turning head kick 5 points	0	0	0	0	0	0
Punch 1 point	0	0	0	0	0	0
Gam-jeom	0	0	0	0	0	0

Instant video replay request	Name	NOC	Round	Result	Remaining quota

Referee assignment	Name	NOC
Centre referee (CR)		
Corner judge 1 (J1)		
Corner judge 2 (J2)		
Review jury (RJ)		

Contest Results
QF All Mixed Para (P20,P21,P22,P23)

131

Tracy Hook

Peyton-Grace Higgins

Color	Name	NOC Code	GAL	Score	Round										
					1			2			3				
					P	GJ	Win	P	GJ	Win	P	GJ	Win		
Chung	Tracy Hook		200864												
Hong	Peyton-Grace Higgins		110926												

Description	Blue Name			Red Name		
	Round 1	Round 2	Round 3	Round 1	Round 2	Round 3
Body kick 2 points	0	0	0	0	0	0
Turning body kick 4 points	0	0	0	0	0	0
Head kick 3 points	0	0	0	0	0	0
Turning head kick 5 points	0	0	0	0	0	0
Punch 1 point	0	0	0	0	0	0
Gam-jeom	0	0	0	0	0	0

Instant video replay request	Name	NOC	Round	Result	Remaining quota

Referee assignment	Name	NOC
Centre referee (CR)		
Corner judge 1 (J1)		
Corner judge 2 (J2)		
Review jury (RJ)		

Contest Results
QF All Mixed Para (P20,P21,P22,P23)

132

Linkin Rand

Richard Allen

Color	Name	NOC Code	GAL	Score	Round										
					1			2			3				
					P	GJ	Win	P	GJ	Win	P	GJ	Win		
Chung	Linkin Rand		1393000												
Hong	Richard Allen		1392009												

Description	Blue Name			Red Name		
	Round 1	Round 2	Round 3	Round 1	Round 2	Round 3
Body kick 2 points	0	0	0	0	0	0
Turning body kick 4 points	0	0	0	0	0	0
Head kick 3 points	0	0	0	0	0	0
Turning head kick 5 points	0	0	0	0	0	0
Punch 1 point	0	0	0	0	0	0
Gam-jeom	0	0	0	0	0	0

Instant video replay request	Name	NOC	Round	Result	Remaining quota

Referee assignment	Name	NOC
Centre referee (CR)		
Corner judge 1 (J1)		
Corner judge 2 (J2)		
Review jury (RJ)		

Contest Results
QF All Mixed Para (P20,P21,P22,P23)

133

Phinley Parker**Elijah Sharman**

Color	Name	NOC Code	GAL	Score	Round									
					1			2			3			
					P	GJ	Win	P	GJ	Win	P	GJ	Win	
Chung	Phinley Parker		000001											
Hong	Elijah Sharman		M121441											

Description	Blue Name			Red Name		
	Round 1	Round 2	Round 3	Round 1	Round 2	Round 3
Body kick 2 points	0	0	0	0	0	0
Turning body kick 4 points	0	0	0	0	0	0
Head kick 3 points	0	0	0	0	0	0
Turning head kick 5 points	0	0	0	0	0	0
Punch 1 point	0	0	0	0	0	0
Gam-jeom	0	0	0	0	0	0

Instant video replay request	Name	NOC	Round	Result	Remaining quota

Referee assignment	Name	NOC
Centre referee (CR)		
Corner judge 1 (J1)		
Corner judge 2 (J2)		
Review jury (RJ)		

Contest Results
SF Peewee/Children Mixed Kup

134

Ruby Blackburn

George Wooder

Color	Name	NOC Code	GAL	Score	Round									
					1			2			3			
					P	GJ	Win	P	GJ	Win	P	GJ	Win	
Chung	Ruby Blackburn		1391842											
Hong	George Wooder		M123456											

Description	Blue Name			Red Name		
	Round 1	Round 2	Round 3	Round 1	Round 2	Round 3
Body kick 2 points	0	0	0	0	0	0
Turning body kick 4 points	0	0	0	0	0	0
Head kick 3 points	0	0	0	0	0	0
Turning head kick 5 points	0	0	0	0	0	0
Punch 1 point	0	0	0	0	0	0
Gam-jeom	0	0	0	0	0	0

Instant video replay request	Name	NOC	Round	Result	Remaining quota

Referee assignment	Name	NOC
Centre referee (CR)		
Corner judge 1 (J1)		
Corner judge 2 (J2)		
Review jury (RJ)		

Contest Results
SF Peewee/Children Mixed Kup

135

Mia Wylie

Francesca Sharman

Color	Name	NOC Code	GAL	Score	Round										
					1			2			3				
					P	GJ	Win	P	GJ	Win	P	GJ	Win		
Chung	Mia Wylie		M123456												
Hong	Francesca Sharman		M145875												

Description	Blue Name			Red Name		
	Round 1	Round 2	Round 3	Round 1	Round 2	Round 3
Body kick 2 points	0	0	0	0	0	0
Turning body kick 4 points	0	0	0	0	0	0
Head kick 3 points	0	0	0	0	0	0
Turning head kick 5 points	0	0	0	0	0	0
Punch 1 point	0	0	0	0	0	0
Gam-jeom	0	0	0	0	0	0

Instant video replay request	Name	NOC	Round	Result	Remaining quota

Referee assignment	Name	NOC
Centre referee (CR)		
Corner judge 1 (J1)		
Corner judge 2 (J2)		
Review jury (RJ)		

Contest Results
SF Cadet/Junior/Senior/Veteran Mixed Kup

136

Kay Beaumont**Kittie Banasko**

Color	Name	NOC Code	GAL	Score	Round									
					1			2			3			
					P	GJ	Win	P	GJ	Win	P	GJ	Win	
Chung	Kay Beaumont		M2001978											
Hong	Kittie Banasko		2006297											

Description	Blue Name			Red Name		
	Round 1	Round 2	Round 3	Round 1	Round 2	Round 3
Body kick 2 points	0	0	0	0	0	0
Turning body kick 4 points	0	0	0	0	0	0
Head kick 3 points	0	0	0	0	0	0
Turning head kick 5 points	0	0	0	0	0	0
Punch 1 point	0	0	0	0	0	0
Gam-jeom	0	0	0	0	0	0

Instant video replay request	Name	NOC	Round	Result	Remaining quota

Referee assignment	Name	NOC
Centre referee (CR)		
Corner judge 1 (J1)		
Corner judge 2 (J2)		
Review jury (RJ)		

Contest Results
SF Cadet/Junior/Senior/Veteran Mixed Kup
137

Jennifer Beaumont

Ella Avery

Color	Name	NOC Code	GAL	Score	Round									
					1			2			3			
					P	GJ	Win	P	GJ	Win	P	GJ	Win	
Chung	Jennifer Beaumont		M2001977											
Hong	Ella Avery		2002918											

Description	Blue Name			Red Name		
	Round 1	Round 2	Round 3	Round 1	Round 2	Round 3
Body kick 2 points	0	0	0	0	0	0
Turning body kick 4 points	0	0	0	0	0	0
Head kick 3 points	0	0	0	0	0	0
Turning head kick 5 points	0	0	0	0	0	0
Punch 1 point	0	0	0	0	0	0
Gam-jeom	0	0	0	0	0	0

Instant video replay request	Name	NOC	Round	Result	Remaining quota

Referee assignment	Name	NOC
Centre referee (CR)		
Corner judge 1 (J1)		
Corner judge 2 (J2)		
Review jury (RJ)		

Contest Results
SF Children/Cadet/Junior Mixed DAN

138

Edith Beddow**George Rainey Bennett**

Color	Name	NOC Code	GAL	Score	Round								
					1			2			3		
					P	GJ	Win	P	GJ	Win	P	GJ	Win
Chung	Edith Beddow		M123456										
Hong	George Rainey Bennett		M1367260										

Description	Blue Name			Red Name		
	Round 1	Round 2	Round 3	Round 1	Round 2	Round 3
Body kick 2 points	0	0	0	0	0	0
Turning body kick 4 points	0	0	0	0	0	0
Head kick 3 points	0	0	0	0	0	0
Turning head kick 5 points	0	0	0	0	0	0
Punch 1 point	0	0	0	0	0	0
Gam-jeom	0	0	0	0	0	0

Instant video replay request	Name	NOC	Round	Result	Remaining quota

Referee assignment	Name	NOC
Centre referee (CR)		
Corner judge 1 (J1)		
Corner judge 2 (J2)		
Review jury (RJ)		

Contest Results
SF Children/Cadet/Junior Mixed DAN

139

Sofia Esgaio**Erin Bannon**

Color	Name	NOC Code	GAL	Score	Round										
					1			2			3				
					P	GJ	Win	P	GJ	Win	P	GJ	Win		
Chung	Sofia Esgaio		M123456												
Hong	Erin Bannon		M123456												

Description	Blue Name			Red Name		
	Round 1	Round 2	Round 3	Round 1	Round 2	Round 3
Body kick 2 points	0	0	0	0	0	0
Turning body kick 4 points	0	0	0	0	0	0
Head kick 3 points	0	0	0	0	0	0
Turning head kick 5 points	0	0	0	0	0	0
Punch 1 point	0	0	0	0	0	0
Gam-jeom	0	0	0	0	0	0

Instant video replay request	Name	NOC	Round	Result	Remaining quota

Referee assignment	Name	NOC
Centre referee (CR)		
Corner judge 1 (J1)		
Corner judge 2 (J2)		
Review jury (RJ)		

Contest Results
SF Senior/Veteran Mixed DAN

140

Stella Whitehead

Oliver Dowd

Color	Name	NOC Code	GAL	Score	Round										
					1			2			3				
					P	GJ	Win	P	GJ	Win	P	GJ	Win		
Chung	Stella Whitehead		1354626												
Hong	Oliver Dowd		M123456												

Description	Blue Name			Red Name		
	Round 1	Round 2	Round 3	Round 1	Round 2	Round 3
Body kick 2 points	0	0	0	0	0	0
Turning body kick 4 points	0	0	0	0	0	0
Head kick 3 points	0	0	0	0	0	0
Turning head kick 5 points	0	0	0	0	0	0
Punch 1 point	0	0	0	0	0	0
Gam-jeom	0	0	0	0	0	0

Instant video replay request	Name	NOC	Round	Result	Remaining quota

Referee assignment	Name	NOC
Centre referee (CR)		
Corner judge 1 (J1)		
Corner judge 2 (J2)		
Review jury (RJ)		

Contest Results
SF Senior/Veteran Mixed DAN

141

James Guy**Paul Inwood**

Color	Name	NOC Code	GAL	Score	Round									
					1			2			3			
					P	GJ	Win	P	GJ	Win	P	GJ	Win	
Chung	James Guy		110526											
Hong	Paul Inwood		000002											

Description	Blue Name			Red Name		
	Round 1	Round 2	Round 3	Round 1	Round 2	Round 3
Body kick 2 points	0	0	0	0	0	0
Turning body kick 4 points	0	0	0	0	0	0
Head kick 3 points	0	0	0	0	0	0
Turning head kick 5 points	0	0	0	0	0	0
Punch 1 point	0	0	0	0	0	0
Gam-jeom	0	0	0	0	0	0

Instant video replay request	Name	NOC	Round	Result	Remaining quota

Referee assignment	Name	NOC
Centre referee (CR)		
Corner judge 1 (J1)		
Corner judge 2 (J2)		
Review jury (RJ)		

Contest Results
SF All Mixed Para (P20,P21,P22,P23)

142

Harrison Black**Peyton-Grace Higgins**

Color	Name	NOC Code	GAL	Score	Round									
					1			2			3			
					P	GJ	Win	P	GJ	Win	P	GJ	Win	
Chung	Harrison Black		1351944											
Hong	Peyton-Grace Higgins		110926											

Description	Blue Name			Red Name		
	Round 1	Round 2	Round 3	Round 1	Round 2	Round 3
Body kick 2 points	0	0	0	0	0	0
Turning body kick 4 points	0	0	0	0	0	0
Head kick 3 points	0	0	0	0	0	0
Turning head kick 5 points	0	0	0	0	0	0
Punch 1 point	0	0	0	0	0	0
Gam-jeom	0	0	0	0	0	0

Instant video replay request	Name	NOC	Round	Result	Remaining quota

Referee assignment	Name	NOC
Centre referee (CR)		
Corner judge 1 (J1)		
Corner judge 2 (J2)		
Review jury (RJ)		

Contest Results
SF All Mixed Para (P20,P21,P22,P23)

143

Linkin Rand

Phinley Parker

Color	Name	NOC Code	GAL	Score	Round										
					1			2			3				
					P	GJ	Win	P	GJ	Win	P	GJ	Win		
Chung	Linkin Rand		1393000												
Hong	Phinley Parker		000001												

Description	Blue Name			Red Name		
	Round 1	Round 2	Round 3	Round 1	Round 2	Round 3
Body kick 2 points	0	0	0	0	0	0
Turning body kick 4 points	0	0	0	0	0	0
Head kick 3 points	0	0	0	0	0	0
Turning head kick 5 points	0	0	0	0	0	0
Punch 1 point	0	0	0	0	0	0
Gam-jeom	0	0	0	0	0	0

Instant video replay request	Name	NOC	Round	Result	Remaining quota

Referee assignment	Name	NOC
Centre referee (CR)		
Corner judge 1 (J1)		
Corner judge 2 (J2)		
Review jury (RJ)		

Contest Results
F Pee wee/Children Mixed Kup

144

George Wooder

Mia Wylie

Color	Name	NOC Code	GAL	Score	Round									
					1			2			3			
					P	GJ	Win	P	GJ	Win	P	GJ	Win	
Chung	George Wooder		M123456											
Hong	Mia Wylie		M123456											

Description	Blue Name			Red Name		
	Round 1	Round 2	Round 3	Round 1	Round 2	Round 3
Body kick 2 points	0	0	0	0	0	0
Turning body kick 4 points	0	0	0	0	0	0
Head kick 3 points	0	0	0	0	0	0
Turning head kick 5 points	0	0	0	0	0	0
Punch 1 point	0	0	0	0	0	0
Gam-jeom	0	0	0	0	0	0

Instant video replay request	Name	NOC	Round	Result	Remaining quota

Referee assignment	Name	NOC
Centre referee (CR)		
Corner judge 1 (J1)		
Corner judge 2 (J2)		
Review jury (RJ)		

Contest Results
F Cadet/Junior/Senior/Veteran Mixed Kup

145

Kittie Banasko**Jennifer Beaumont**

Color	Name	NOC Code	GAL	Score	Round									
					1			2			3			
					P	GJ	Win	P	GJ	Win	P	GJ	Win	
Chung	Kittie Banasko		2006297											
Hong	Jennifer Beaumont		M2001977											

Description	Blue Name			Red Name		
	Round 1	Round 2	Round 3	Round 1	Round 2	Round 3
Body kick 2 points	0	0	0	0	0	0
Turning body kick 4 points	0	0	0	0	0	0
Head kick 3 points	0	0	0	0	0	0
Turning head kick 5 points	0	0	0	0	0	0
Punch 1 point	0	0	0	0	0	0
Gam-jeom	0	0	0	0	0	0

Instant video replay request	Name	NOC	Round	Result	Remaining quota

Referee assignment	Name	NOC
Centre referee (CR)		
Corner judge 1 (J1)		
Corner judge 2 (J2)		
Review jury (RJ)		

Contest Results
F Children/Cadet/Junior Mixed DAN

146

Edith Beddow
Erin Bannon

Color	Name	NOC Code	GAL	Score	Round									
					1			2			3			
					P	GJ	Win	P	GJ	Win	P	GJ	Win	
Chung	Edith Beddow		M123456											
Hong	Erin Bannon		M123456											

Description	Blue Name			Red Name		
	Round 1	Round 2	Round 3	Round 1	Round 2	Round 3
Body kick 2 points	0	0	0	0	0	0
Turning body kick 4 points	0	0	0	0	0	0
Head kick 3 points	0	0	0	0	0	0
Turning head kick 5 points	0	0	0	0	0	0
Punch 1 point	0	0	0	0	0	0
Gam-jeom	0	0	0	0	0	0

Instant video replay request	Name	NOC	Round	Result	Remaining quota

Referee assignment	Name	NOC
Centre referee (CR)		
Corner judge 1 (J1)		
Corner judge 2 (J2)		
Review jury (RJ)		

**Contest Results
F Senior/Veteran Mixed DAN**

147

Oliver Dowd
Paul Inwood

Color	Name	NOC Code	GAL	Score	Round									
					1			2			3			
					P	GJ	Win	P	GJ	Win	P	GJ	Win	
Chung	Oliver Dowd		M123456											
Hong	Paul Inwood		000002											

Description	Blue Name			Red Name		
	Round 1	Round 2	Round 3	Round 1	Round 2	Round 3
Body kick 2 points	0	0	0	0	0	0
Turning body kick 4 points	0	0	0	0	0	0
Head kick 3 points	0	0	0	0	0	0
Turning head kick 5 points	0	0	0	0	0	0
Punch 1 point	0	0	0	0	0	0
Gam-jeom	0	0	0	0	0	0

Instant video replay request	Name	NOC	Round	Result	Remaining quota

Referee assignment	Name	NOC
Centre referee (CR)		
Corner judge 1 (J1)		
Corner judge 2 (J2)		
Review jury (RJ)		

Contest Results
F All Mixed Para (P20,P21,P22,P23)

148

Peyton-Grace Higgins**Phinley Parker**

Color	Name	NOC Code	GAL	Score	Round									
					1			2			3			
					P	GJ	Win	P	GJ	Win	P	GJ	Win	
Chung	Peyton-Grace Higgins		110926											
Hong	Phinley Parker		000001											

Description	Blue Name			Red Name		
	Round 1	Round 2	Round 3	Round 1	Round 2	Round 3
Body kick 2 points	0	0	0	0	0	0
Turning body kick 4 points	0	0	0	0	0	0
Head kick 3 points	0	0	0	0	0	0
Turning head kick 5 points	0	0	0	0	0	0
Punch 1 point	0	0	0	0	0	0
Gam-jeom	0	0	0	0	0	0

Instant video replay request	Name	NOC	Round	Result	Remaining quota

Referee assignment	Name	NOC
Centre referee (CR)		
Corner judge 1 (J1)		
Corner judge 2 (J2)		
Review jury (RJ)		

Medalists

Mixed Kup

Medal	Name	NOC
GOLD	Mia Wylie	
SILVER	George Wooder	
BRONZE	Ruby Blackburn	
BRONZE	Francesca Sharman	

Medalists

Mixed Kup

Medal	Name	NOC
GOLD	Jennifer Beaumont	
SILVER	Kittie Banasko	
BRONZE	Kay Beaumont	
BRONZE	Ella Avery	

Medalists

Mixed DAN

Medal	Name	NOC
GOLD	Erin Bannon	
SILVER	Edith Beddow	
BRONZE	George Rainey Bennett	
BRONZE	Sofia Esgaio	

Medalists

Mixed DAN

Medal	Name	NOC
GOLD	Oliver Dowd	
SILVER	Paul Inwood	
BRONZE	Stella Whitehead	
BRONZE	James Guy	

Medalists

Mixed Para (P20,P21,P22,P23)

Medal	Name	NOC
GOLD	Phinley Parker	
SILVER	Peyton-Grace Higgins	
BRONZE	Harrison Black	
BRONZE	Linkin Rand	

Medalists By Weight Category

Event	Date	Medal	Name	NOC Code
Mixed Kup	2025-11-04	GOLD	Mia Wylie	
		SILVER	George Wooder	
		BRONZE	Ruby Blackburn	
		BRONZE	Francesca Sharman	
Mixed Kup	2025-11-04	GOLD	Jennifer Beaumont	
		SILVER	Kittie Banasko	
		BRONZE	Kay Beaumont	
		BRONZE	Ella Avery	
Mixed DAN	2025-11-04	GOLD	Erin Bannon	
		SILVER	Edith Beddow	
		BRONZE	George Rainey Bennett	
		BRONZE	Sofia Esgaio	
Mixed DAN	2025-11-04	GOLD	Oliver Dowd	
		SILVER	Paul Inwood	
		BRONZE	Stella Whitehead	
		BRONZE	James Guy	

Medalists By Weight Category

Event	Date	Medal	Name	NOC Code
Mixed Para (P20,P21,P22,P23)	2025-11-04	GOLD	Phinley Parker	
		SILVER	Peyton-Grace Higgins	
		BRONZE	Harrison Black	
		BRONZE	Linkin Rand	

